



PUBLIC WORKS DEPARTMENT
WATER RESOURCES DEPARTMENT
TRICHY REGION

SOUTH VELLAR SUB BASIN

DETAILED PROJECT REPORT

FOR LEFT OUT WORKS IN

IAMWARM PHASE - I

BY UTILISING PROJECT SAVINGS

**SOUTH VELLAR BASIN DIVISION,
PUDUKKOTTAI.**

Estimate Rs. 1198.73 Lakhs.

INDEX

SL. No.	DESCRIPTION	PAGE No.
1	Report	01
2	Format I	02 - 46
3	Format II	47 - 78
4	Sub Basin Maps & Drawings	79 - 82

Additional proposals for providing Lining of Irrigation Channel and Flow Measuring Device in South Vellar sub basin (Phase I) under IAMWARM Project

The lining of irrigation channel and installation of measuring device has been proposed for Phase I and II sub basins by utilizing the Project Savings as discussed with the world bank, during the implementation support mission from Sept 12-20th 2011.

Accordingly in the South Vellar sub basin of Phase I the following works have been proposed.

1. Lining of irrigation channel below the tanks sluice for a distance of about 30m in CC M 7.5 & CC M 15 as per sketch enclosed
2. Installing flow measuring device in the irrigation channel as per sketch
3. L.S provision of 2.8 % for Provision of labour welfare @ 0.30 % and provision for contingencies, advertisement charges , photographic charges @ 2.5%

The package details are appended separately and works are proposed to be taken up under national shopping procedure

The Total Cost For The DPR Works Out To Rs.1198.73 lakhs

FORMAT- I

Name of Region :- **Trichy**
 Name of Circle :- **Middle Cauvery Basin Circle,Trichy.**
 Name of Division :- **South Vellar Basin Division, Pudukkottai.**
 Name of Sub Basin :- **South Vellar Sub Basin**
 Total Number of Tanks taken up under IAMWARM : **288**

NO OF TANKS, SLUICES IN EACH PACKAGE

(Rs. in Lakhs)

Sl No	Package No	Name of Tank	No. of Sluice	Lining in head irrigation Channels			Flow Measuring Device		Total Amount	L.S.Provision @2.80%	Grand Total	Remarks
				Type of Soil BC / OS*	Length in Metre	Amount	No	Amount				
1	Package - 1	1 Avaran kulam	3	BC	80	4.00	3	0.33	4.33			
		2 Panni Periyakulam	1	BC	30	1.50	6	0.66	2.16			

		3	Nellikualm	1	BC	30	1.50	3	0.33	1.83			
			Total	5		140	7.00	12	1.32	8.32	0.23	8.55	
2	Package - 2	1	Valanadu Periyakulam	--	BC	--	--	3	0.33	0.33			due to existing lining, flow measuring device alone is now proposed
		2	Vanmbanur Periyakulam	--	BC	--	--	4	0.44	0.44			
		3	Kappakudi Kulam	5	BC	140	7.00	5	0.55	7.55			
			Total	5		140	7.00	12	1.32	8.32	0.23	8.55	
3	Package - 3	1	Pirankualm, Sirankudikulam, Mathinikulam, Valapirankulam,	2	BC	60	3.00	2	0.22	3.22			
		2	Kambakulam Sirukulam	4	BC	120	6.00	4	0.44	6.44			
			Total	6		180	9.00	6	0.66	9.66	0.27	9.93	
4	Package - 4	1	Rapoosal Periyakulam	3	BC	90	4.50	3	0.33	4.83			
		2	Alathur Periyakulam	3	BC	90	4.50	3	0.33	4.83			

			Total	6		180	9.00	6	0.66	9.66	0.27	9.93	
5	Package - 5	1	Kathavampatti Kathavankulam	3	BC	90	4.50	3	0.33	4.83			
		2	Kathavampatti Neivakulam	3	BC	90	4.50	3	0.33	4.83			
			Total	6		180	9.00	6	0.66	9.66	0.27	9.93	
6	Package - 6	1	Peyal Periyakulam, kathikulam & pallanendal	3	BC	90	4.50	3	0.33	4.83			
		2	Veerapatti Periyakulam Sengulam	4	BC	120	6.00	4	0.44	6.44			
			Total	7		210	10.50	7	0.77	11.27	0.32	11.59	
7	Package - 7	1	Veerapatti Eranikulam	3	BC	90	4.50	3	0.33	4.83			
		2	Nilayapatti nilaya Kanmoi	4	BC	120	6.00	4	0.44	6.44			
			Total	7		210	10.50	7	0.77	11.27	0.32	11.59	

8	Package - 8	1	Ayangudi Kallukulam & Paravakulam, Kummanthankulam	4	BC	120	6.00	4	0.44	6.44			
		2	Mathiyallur Periyakulam	3	BC	90	4.50	3	0.33	4.83			
			Total	7		210	10.50	7	0.77	11.27	0.32	11.59	
9	Package - 9	1	Ayangudi Periyakulam, Vagurankulam & Edayankulam	4	BC	120	6.00	5	0.55	6.55			
			Total	4		120	6.00	5	0.55	6.55	0.18	6.73	
10	Package - 10	1	Thethanakulam	3	BC	90	4.50	3	0.33	4.83			
		2	Velankudikulam	4	BC	120	6.00	4	0.44	6.44			
			Total	7		210	10.50	7	0.77	11.27	0.32	11.59	
11	Package - 11	1	Ariyur Keelakulam & Melakulam	4	BC	120	6.00	5	0.55	6.55			

			Total	4		120	6.00	5	0.55	6.55	0.18	6.73	
12	Package - 12	1	Mangudy Periyakulam	4	BC	120	6.00	5	0.55	6.55			
			Total	4		120	6.00	5	0.55	6.55	0.18	6.73	
13	Package - 13	1	Visalur Visali kanmoi	4	BC	120	6.00	6	0.66	6.66			
			Total	4		120	6.00	6	0.66	6.66	0.19	6.85	
14	Package - 14	1	Panankudy Periyakulam	3	BC	90	4.50	3	0.33	4.83			
			Total	3		90	4.50	3	0.33	4.83	0.14	4.97	
15	Package - 15	1	Maravamadurai Kanmoi	1	BC	30	1.50	1	0.11	1.61			
		2	Karai Kanmoi	2	BC	50	2.50	4	0.44	2.94			
			Total	3		80	4.00	5	0.55	4.55	0.13	4.68	
16	Package - 16	1	Athani tank	2	BC	50	2.50	2	0.22	2.72			
		2	Nerunjikudi Periya Kanmoi	--	BC	-	-	4	0.44	0.44			due to existing lining, flow measuring device alone is now proposed

		3	Oliyamangalam Periya Kanmoi	2	BC	60	3.00	2	0.22	3.22			
		4	Melathaniyam Periya Kanmoi	--	--	-	-	3	0.33	0.33			due to existing lining, flow measuring device alone is now proposed
		5	Keelathaniyam Periya & Chinna Kanmoi	--	--	-	-	3	0.33	0.33			
		6	Ayingudi Kanmoi	--	--	-	-	3	0.33	0.33			
		7	Neyveli Periya Kanmoi	1	BC	30	1.50	3	0.33	1.83			
		8	Nagini Endal Tank	1	BC	30	1.50	1	0.11	1.61			
		9	Vadakkupottai Tank	--	--	-	-	1	0.11	0.11			due to existing lining, flow measuring device alone is now proposed
			Total	7		170	8.50	23	2.53	10.92	0.31	11.23	

17	Package - 17	1	Therkkupottai Kanmoi	1	BC	30	1.50	1	0.11	1.61			
		2	Kulathandan Kanmoi	2	BC	50	2.50	2	0.22	2.72			
		3	Senganpithan Kanmoi	4	BC	120	6.00	4	0.44	6.44			
			Total	6		170	8.50	6	0.66	9.16	0.26	9.42	
18	Package - 18	1	Sundaram Periya Kanmoi	2	BC	60	3.00	2	0.22	3.22			
		2	Kovanur Periya and Chinna Kanmoi	4	BC	110	5.50	5	0.55	6.05			
			Total	6		170	8.50	7	0.77	9.27	0.26	9.53	
19	Package - 19	1	Panaya Kanmoi	2	BC	50	2.50	2	0.22	2.72			
		2	Mekkini Kanmoi	2	BC	60	3.00	3	0.33	3.33			
		3	Valakkurichy Periya Kanmoi	--	BC	-		4	0.44	0.44			due to existing lining, flow measuring device alone is now proposed
		4	Vellakudi Kanmoi	3	BC	90	4.50	3	0.33	4.83			

			Total	7		200	10.00	12	1.32	11.32	0.32	11.64	
20	Package - 20	1	Sathani Kanmoi and Thalana Kanmoi	4	BC	110	5.50	5	0.55	6.05			
		2	Edayathur Therkku Kanmoi	2	BC	60	3.00	2	0.22	3.22			
			Total	6		170	8.50	7	0.77	9.27	0.26	9.53	
21	Package - 21	1	Arasamalai Periya Kanmoi	3	BC	80	4.00	3	0.33	4.33			
		2	Era Kanmoi	2	BC	60	3.00	2	0.22	3.22			
		3	Kalani Kanmoi	--	BC	-		2	0.22	0.22			due to existing lining, flow measuring device alone is now proposed
		4	Gudalur Periya Kanmoi	2	BC	60	3.00	4	0.44	3.44			
			Total	7		200	10.00	11	1.21	11.21	0.31	11.52	
22	Package - 22	1	Illuni Kanmoi	2	BC	60	3.00	2	0.22	3.22			
		2	Nallu Kanmoi	3	BC	80	4.00	3	0.33	4.33			

			Total	5		140	7.00	5	0.55	7.55	0.21	7.76	
23	Package - 23	1	Nagara Kanmoi	4	BC	110	5.50	5	0.55	6.05			
		2	Knakanmoi	2	BC	60	3.00	2	0.22	3.22			
			Total	6		170	8.50	7	0.77	9.27	0.26	9.53	
24	Package - 24	1	Keemana Kanmoi	3	BC	80	4.00	3	0.33	4.33			
		2	Alavalandan Kanmoi	3	BC	90	4.50	3	0.33	4.83			
			Total	6		170	8.50	6	0.66	9.16	0.26	9.42	
25	Package - 25	1	Nattu Kanmoi	3	BC	90	4.50	3	0.33	4.83			
		2	Sevalai Kanmoi	4	BC	110	5.50	4	0.44	5.94			
			Total	7		200	10.00	7	0.77	10.77	0.30	11.07	

26	Package - 26	1	Chinnani Kanmoi	4	BC	110	5.50	5	0.55	6.05			
		2	Rarapuram Periya Kanmoi	1	BC	30	1.50	5	0.55	2.05			
			Total	5		140	7.00	10	1.10	8.10	0.23	8.33	
27	Package - 27	1	Vagai Kanmoi	4	BC	110	5.50	5	0.55	6.05			
		2	Rarapuram Pudu Kanmoi	1	BC	30	1.50	3	0.33	1.83			
		3	Athik Kanmoi.	1	BC	30	1.50	3	0.33	1.83			
			Total	6		170	8.50	11	1.21	9.71	0.27	9.98	

28	Package - 28	1	Puliyar Kanmoi	3	BC	80	4.00	3	0.33	4.33			
		2	Kulamuthi and Mangurichi Kanmoi	2	BC	60	3.00	1	0.11	3.11			
		3	Arya Kanmoi	2	BC	60	3.00	2	0.22	3.22			
			Total	7		200	10.00	6	0.66	10.66	0.30	10.96	
29	Package - 29	1	Peraiyur Periya Kanmoi	4	BC	110	5.50	6	0.66	6.16			
			Total	4		110	5.50	6	0.66	6.16	0.17	6.33	
30	Package - 30	1	Malayakulam, Pudukulam, Sengulam	4	BC	110	5.50	4	0.44	5.94			
		2	Arasandan Kanmoi	--	--	-	-	1	0.11	0.11			due to existing lining, flow measuring device alone is now proposed
		3	Keela Kanmoi	1	BC	30	1.50	1	0.11	1.61			
			Total	5		140	7.00	6	0.66	7.66	0.21	7.87	

31	Package 31	1	Kadambak Kanmoi	4	BC	110	5.50	4	0.44	5.94			
		2	Kotti Kanmoi	3	BC	90	4.50	3	0.33	4.83			
			Total	7		200	10.00	7	0.77	10.77	0.30	11.07	
32	Package - 32	1	Mela Kanmoi	4	BC	110	5.50	4	0.44	5.94			
		2	Uriya Kanmoi	2	BC	60	3.00	2	0.22	3.22			
		3	Kollan, Koppandan Kanmoi	1	BC	30	1.50	1	0.11	1.61			
			Total	7		200	10.00	7	0.77	10.77	0.30	11.07	

33	Package 33	1	Thadan Kanmoi	1	BC	30	1.50	1	0.11	1.61			
		2	Mamarathu Kanmoi	3	BC	80	4.00	3	0.33	4.33			
		3	Nagarathu Kanmoi	2	BC	60	3.00	2	0.22	3.22			
			Total	6		170	8.50	6	0.66	9.16	0.26	9.42	
34	Package 34	1	Mangulam tank	2	BC	60	3.00	4	0.44	3.44			
		2	Siruvakulam	4	BC	110	5.50	5	0.55	6.05			
			Total	6		170	8.50	9	0.99	9.49	0.27	9.76	

35	Package 35	1	Ottakkulam	2	BC	50	2.50	6	0.66	3.16			
		2	Thirumulikulam	1	BC	30	1.50	1	0.11	1.61			
		3	Uppkulam	1	BC	30	1.50	1	0.11	1.61			
		4	Adhidevankulam	--	--	-	-	1	0.11	0.11			due to existing lining, flow measuring device alone is now proposed
		5	Thatchankulam	2	BC	60	3.00	2	0.22	3.22			
			Total	6		170	8.50	11	1.21	9.71	0.27	9.98	
36	Package 36	1	Sethukulam	4	BC	110	5.50	6	0.66	6.16			
			Total	4		110	5.50	6	0.66	6.16	0.17	6.33	

37	Package 37	1	Kottiakkarankulam	4	BC	110	5.50	4	0.44	5.94			
		2	Vanniyankulam	2	BC	60	3.00	2	0.22	3.22			
			Total	6		170	8.50	6	0.66	9.16	0.26	9.42	
38	Package 38	1	Vannankundu Kulam	2	BC	60	3.00	2	0.22	3.22			
		2	Paraiyan Kulam	4	BC	110	5.50	4	0.44	5.94			
			Total	6		170	8.50	6	0.66	9.16	0.26	9.42	
39	Package 39	1	Sengulam	2	BC	60	3.00	2	0.22	3.22			
		2	Sirayan Kanmoi	4	BC	110	5.50	4	0.44	5.94			
			Total	6		170	8.50	6	0.66	9.16	0.26	9.42	

40	Package 40	1	Ambalakarankulam	2	BC	50	2.50	2	0.22	2.72			
		2	Maramadaki Kanmoi	2	BC	60	3.00	2	0.22	3.22			
		3	Thattanpudukulam	2	BC	60	3.00	3	0.33	3.33			
			Total	6		170	8.50	7	0.77	9.27	0.26	9.53	
41	Package 41	1	Agarakulam	4	BC	110	5.50	5	0.55	6.05			
		2	Ambalkulam	2	BC	60	3.00	2	0.22	3.22			
			Total	6		170	8.50	7	0.77	9.27	0.26	9.53	

42	Package 42	1	Alinjikanmoi	4	BC	110	5.50	8	0.88	6.38			
		2	Senthankudi Nachiyarkulam	2	BC	60	3.00	2	0.22	3.22			
			Total	6		170	8.50	10	1.1	9.60	0.27	9.87	
43	Package 43	1	Saravanakulam	3	BC	80	4.00	3	0.33	4.33			
		2	Thanthirankulam	3	BC	90	4.50	3	0.33	4.83			
		3	Neppiyakulam	1	BC	30	1.50	1	0.11	1.61			
			Total	7		200	10.00	7	0.77	10.77	0.30	11.07	
44	Package 44	1	Senthakkulam	2	BC	60	3.00	2	0.22	3.22			
		2	Kothamangalam kanmoi	4	BC	110	5.50	4	0.44	5.94			
			Total	6		170	8.50	6	0.66	9.16	0.26	9.42	
45	Package 45	1	Sethukanmoi (Sluice No 1 to 5)	4	BC	110	5.50	5	0.55	6.05			

			Total	4		110	5.50	5	0.55	6.05	0.17	6.22	
46	Package 46	1	Sethukanmoi (Sluice No 6 to 10)	4	BC	110	5.50	5	0.55	6.05			
			Total	4		110	5.50	5	0.55	6.05	0.17	6.22	
47	Package 47	1	Sethukanmoi (Sluice No 10 to 15)	4	BC	110	5.50	5	0.55	6.05			
			Total	4		110	5.50	5	0.55	6.05	0.17	6.22	
48	Package 48	1	Kothadikanmoi	3	BC	80	4.00	3	0.33	4.33			
		2	Panayakanmoi	3	BC	90	4.50	3	0.33	4.83			
			Total	6		170	8.50	6	0.66	9.16	0.26	9.42	
49	Package 49	1	Melikanmoi	4	BC	110	5.50	7	0.77	6.27			
			Total	4		110	5.50	7	0.77	6.27	0.18	6.45	

50	Package 50	1	Manakkanmoi	4	BC	110	5.50	6	0.66	6.16			
			Total	4		110	5.50	6	0.66	6.16	0.17	6.33	
51	Package 51	1	Samanthankanmoi	3	BC	80	4.00	3	0.33	4.33			
		2	Samuthiramkanmoi	3	BC	90	4.50	3	0.33	4.83			
			Total	6		170	8.50	6	0.66	9.16	0.26	9.42	
52	Package 52	1	Thanjikanmoi	4		110	5.50	6	0.66	6.16			
			Total	4		110	5.50	6	0.66	6.16	0.17	6.33	
53	Package 53	1	Isuhukkanmoi	4	BC	110	5.50	4	0.44	5.94			
		2	Keelathemuthu kanmoi	3	BC	90	4.50	3	0.33	4.83			
			Total	7		200	10.00	7	0.77	10.77	0.30	11.07	
54	Package 54	1	Odakulam	4	BC	110	5.50	4	0.44	5.94			
		2	Athani kanmoi	3	BC	90	4.50	3	0.33	4.83			
			Total	7		200	10.00	7	0.77	10.77	0.30	11.07	

55	Package 55	1	Melathymuthu kanmoi, Velukudi kanmoi & Thevanakanmoi	4	BC	110	5.50	4	0.44	5.94			
		2	Velaiseivanvayal kanmoi	3	BC	90	4.50	3	0.33	4.83			
			Total	7		200	10.00	7	0.77	10.77	0.30	11.07	
56	Package 56	1	Thalicheri kanmoi	3	BC	90	4.50	3	0.33	4.83			
		2	Thykattur Periyakulam	4	BC	110	5.50	4	0.44	5.94			
			Total	7		200	10.00	7	0.77	10.77	0.30	11.07	
57	Package 57	1	Seruvani kanmoi, Kudithangikanmoi	4	BC	110	5.50	5	0.55	6.05			
		2	Allampatti kanmoi	2	BC	60	3.00	2	0.22	3.22			
			Total	6		170	8.50	7	0.77	9.27	0.26	9.53	
58	Package 58	1	Kovinjankanmoi	4	BC	110	5.50	6	0.66	6.16			
			Total	4		110	5.50	6	0.66	6.16	0.17	6.33	

59	Package 59	1	Perungudi Kanmoi Vadaku kanmoi	4	BC	110	5.50	5	0.55	6.05			
			Total	4		110	5.50	5	0.55	6.05	0.17	6.22	
60	Package 60	1	Kadayakudi kanmoi, Pudukanmoi	4	BC	110	5.50	7	0.77	6.27			
			Total	4		110	5.50	7	0.77	6.27	0.18	6.45	
61	Package 61	1	Arimalam pudukanmoi	4	BC	110	5.50	5	0.55	6.05			
			Total	4		110	5.50	5	0.55	6.05	0.17	6.22	
62	Package 62	1	Narpavalakudi kanmoi (Sluice No 1 to 5)	4	BC	110	5.50	5	0.55	6.05			
			Total	4		110	5.50	5	0.55	6.05	0.17	6.22	
63	Package 63	1	Narpavalakudi kanmoi (Sluice No 6 to 10)	4	BC	110	5.50	5	0.55	6.05			

			Total	4		110	5.50	5	0.55	6.05	0.17	6.22	
64	Package 64	1	Kongudi kanmoi	4	BC	110	5.50	4	0.44	5.94			
		2	Pachalur kanmoi	3	BC	90	4.50	3	0.33	4.83			
			Total	7		200	10.00	7	0.77	10.77	0.30	11.07	
65	Package 65	1	Kulathur kanmoi (Sluice No 1 to 4)	4	BC	110	5.50	4	0.44	5.94			
		2	Kudikadu kanmoi	3	BC	90	4.50	3	0.33	4.83			
			Total	7		200	10.00	7	0.77	10.77	0.30	11.07	
66	Package 66	1	Kulathur kanmoi (Sluice No 5 to 8)	4	BC	110	5.50	4	0.44	5.94			

			Total	4		110	5.50	4	0.44	5.94	0.17	6.11	
67	Package 67	1	Vahanvayal kanmoi	4	BC	110	5.50	4	0.44	5.94			
			Total	4		110	5.50	4	0.44	5.94	0.17	6.11	
68	Package 68	1	Karuvedacheri kanmoi (Sluice No 1 to 4)	4	BC	110	5.50	4	0.44	5.94			
			Total	4		110	5.50	4	0.44	5.94	0.17	6.11	
69	Package 69	1	Karuvedacheri kanmoi (Sluice No 5 to 8)	4	BC	110	5.50	4	0.44	5.94			
			Total	4		110	5.50	4	0.44	5.94	0.17	6.11	
70	Package 70	1	Alapiranthankanmoi	4	BC	110	5.50	6	0.66	6.16			

			Total	4		110	5.50	6	0.66	6.16	0.17	6.33	
71	Package 71	1	Kurubur kanmoi	4	BC	110	5.50	6	0.66	6.16			
			Total	4		110	5.50	6	0.66	6.16	0.17	6.33	
72	Package 72	1	Serunattanvayal kanmoi	4	BC	110	5.50	4	0.44	5.94			
			Total	4		110	5.50	4	0.44	5.94	0.17	6.11	
73	Package 73	1	Perunjakulam kanmoi.	4	BC	110	5.50	6	0.66	6.16			
		2	Kudimeri kanmoi	1	BC	30	1.50	1	0.11	1.61			
		3	Pudukulam kanmoi	--	--	--	--	1	0.11	0.11			due to existing lining, flow measuring device alone is now proposed

			Total	5		140	7.00	6	0.66	7.88	0.22	8.10	
74	Package 74	1	Keelavettivayal kanmoi	1	BC	30	1.50	1	0.11	1.61			
		2	Konguranvayal kanmoi	2	BC	60	3.00	1	0.11	3.11			
		3	Alangudi kanmoi	3	BC	80	4.00	1	0.11	4.11			
		4	Varappoor kanmoi	--	--	--	--	1	0.11	0.11			due to existing lining, flow measuring device alone is now proposed
		5	Vanniyapillaivayal kanmoi	--	--	--	--	1	0.11	0.11			
					Total	6		170	8.50	5	0.55	9.05	0.25
75	Package 75	1	Melasuriyakulam	1	BC	30	1.50	1	0.11	1.61			
		2	Melappattu kanmoi	--	--	--	--	1	0.11	0.11			due to existing lining, flow measuring device alone is now proposed
		3	Keelakadu kanmoi	--	--	--	--	1	0.11	0.11			
		4	Sothiyarodai kanmoi	--	--	--	--	1	0.11	0.11			
		5	Edaiyankadu kanmoi	--	--	--	--	1	0.11	0.11			
		6	Mamandai kanmoi	2	BC	50	2.50	1	0.11	2.61			

		7	Perungadu kanmoi	1	BC	30	1.50	1	0.11	1.61			
		8	Manchapathi kanmoi	2	BC	60	3.00	1	0.11	3.11			
		9	Vengoor kanmoi	--	--	--	--	1	0.11	0.11			due to existing lining, flow measuring device alone is now proposed
			Total	6		170	8.50	9	0.99	9.49	0.27	9.76	
76	Package 76	1	Mylandi kanmoi	3	BC	90	4.50	1	0.11	4.61			
		2	Melmangalam kanmoi	4	BC	110	5.50	1	0.11	5.61			
		3	Seplavayal kanmoi	3	BC	90	4.50	1	0.11	4.61			
			Total	10		290	14.50	2	0.22	10.22	0.29	10.51	

77	Package 77	1	Etticheri kanmoi	4	BC	110	5.50	1	0.11	5.61			
		2	Pallathakulam kanmoi	2	BC	60	3.00	1	0.11	3.11			
			Total	6		170	8.50	3	0.33	8.72	0.24	8.96	
78	Package 78	1	Avavayal kanmoi	3	BC	90	4.50	1	0.11	4.61			
		2	Echankudy kanmoi	4	BC	110	5.50	1	0.11	5.61			
			Total	7		200	10.00	2	0.22	10.22	0.29	10.51	
79	Package 79	1	Ariyamaraikadu kanmoi	4	BC	110	5.50	1	0.11	5.61			
		2	Karanikadu kanmoi	3	BC	90	4.50	1	0.11	4.61			
			Total	7		200	10.00	2	0.22	10.22	0.29	10.51	

80	Package 80	1	Karungulikadu kanmoi	--	--	--	--	1	0.11	0.11			due to existing lining, flow measuring device alone is now proposed
		2	Enathy kanmoi	4	BC	110	5.50	1	0.11	5.61			
		3	Idayankottai kanmoi	--	--	--	--	1	0.11	0.11			due to existing lining, flow measuring device alone is now proposed
			Total	4		110	5.50	3	0.33	5.83	0.16	5.99	
81	Package 81	1	Puduvakadu kanmoi	3	BC	90	4.50	1	0.11	4.61			
		2	Kunnur kanmoi	4	BC	110	5.50	1	0.11	5.61			
		3	Amanji kanmoi	--	--	--	--	1	0.11	0.11			due to existing lining, flow measuring device alone is now proposed
		4	Allarai kanmoi	--	--	--	--	1	0.11	0.11			
		5	Kundagavayal kanmoi	--	--	--	--	1	0.11	0.11			
		6	Uthanikadu kanmoi	--	--	--	--	1	0.11	0.11			

			Total	7		200	10.00	6	0.66	10.66	0.30	10.96	
82	Package 82	1	Pallathivayal kanmoi	3	BC	90	4.50	1	0.11	4.61			
		2	Panchathi kanmoi	4	BC	110	5.50	1	0.11	5.61			
			Total	7		200	10.00	2	0.22	10.22	0.29	10.51	
83	Package 83	1	Athithanpatti kanmoi & Janaganendal kanmoi	4	BC	110	5.50	1	0.11	5.61			
		2	Saniyankadu kanmoi	--	--	--	--	1	0.11	0.11			due to existing lining, flow measuring device alone is now proposed
		3	Keelachery kanmoi	--	--	--	--	1	0.11	0.11			
		4	Silambavayal kanmoi	--	--	--	--	1	0.11	0.11			
		5	Maruthakudi kanmoi	--	--	--	--	1	0.11	0.11			
		6	Nanakudi kanmoi	--	--	--	--	1	0.11	0.11			
		7	Kodugavayal kanmoi	--	--	--	--	1	0.11	0.11			
		8	Navinivayal kanmoi	1	BC	30	1.50	1	0.11	1.61			

		9	Kanakkanvayal kanmoi	1	BC	30	1.50	1	0.11	1.61			
		10	Sevanthankadu kanmoi	--	BC	--	--	1	0.11	0.11			due to existing lining, flow measuring device alone is now proposed
			Total	6	0	170	8.5	10	1.10	9.60	0.27	9.87	
84	Package 84	1	Karavayal kanmoi	3	BC	80	4.00	1	0.11	4.11			
		2	Karukulithavu kanmoi	3	BC	90	4.50	1	0.11	4.61			
		3	Kallanendal kanmoi	--	BC	--	--	1	0.11	0.11			due to existing lining, flow measuring device alone is now proposed
			Total	6		170	8.50	3	0.33	8.83	0.25	9.08	
85	Package 85	1	Pirajapathy kanmoi	2	BC	50	2.50	1	0.11	2.61			
		2	Sembodai kanmoi	1	BC	30	1.50	1	0.11	1.61			
			Total	3		80	4.00	2	0.22	4.22	0.12	4.34	

86	Package 86	1	Paramanthur Kela Eri	2	BC	50	2.50	1	0.11	2.61			
		2	Paramanthur Mela Eri	2	BC	60	3.00	1	0.11	3.11			
		3	Perumalpatti kanmoi	2	BC	60	3.00	1	0.11	3.11			
		4	Melavettivayal kanmoi	--	--	--	--	1	0.11	0.11			due to existing lining, flow measuring device alone is now proposed
		5	Sullani kanmoi	--	--	--	--	1	0.11	0.11			
6	Urvani kanmoi	--	--	--	--	1	0.11	0.11					
7	Chettiendal kanmoi	--	--	--	--	1	0.11	0.11					
	Total	6		170	8.5	7	0.77	9.27	0.26	9.53			
87	Package 87	1	Pakkudi kanmoi	2	BC	60	3.00	1	0.11	3.11			
		2	Pallathivayal kanmoi	4	BC	110	5.50	1	0.11	5.61			
			Total	6		170	8.5	2	0.22	8.72	0.24	8.96	

88	Package 88	1	Sevidankadu kanmoi	2	BC	60	3.00	1	0.11	3.11			
		2	Veeramangalam Kanmoi	4	BC	110	5.50	4	0.44	5.94			
			Total	6		170	8.5	5	0.55	9.05	0.25	9.30	
89	Package 89	1	Sellappankottai Kanmoi	4	BC	119	5.94	4	0.44	6.38			
		2	Sambooraniendal kanmoi	1	BC	30	1.50	1	0.11	1.50			
			Total	5		149	7.44	5	0.55	7.88	0.22	8.10	
90	Package 90	1	Chinaveeramangalam kanmoi	2	BC	60	3.00	2	0.22	3.22			
		2	Karambakudi kanmoi (Sluice No 1)	4	BC	110	5.50	1	0.11	5.61			
			Total	6		170	8.50	3	0.33	8.83	0.25	9.08	

91	Package 91	1	Mullianvayal kanmoi	2	BC	50	2.50	2	0.22	2.50			
		2	Perunavalur kanmoi	2	BC	60	3.00	2	0.22	3.22			
			Total	4		110	5.50	4	0.44	5.72	0.16	5.88	
92	Package 92	1	Karambakudi kanmoi (Sluice No 2 to 4)	4	BC	110	5.50	4	0.44	5.94			
		2	Meenankudieruppu kanmoi	1	BC	30	1.5	1	0.11	1.50			
		3	Punniyanendal kanmoi	2	BC	60	3.00	2	0.22	3.00			
			Total	7		200	10.00	7	0.77	10.44	0.29	10.73	

93	Package 93	1	Karambakudi kanmoi (Sluice No 5 to 8)	4	BC	120	6.00	4	0.44	6.44			
		2	Klangudy kanmoi	3	BC	90	4.50	3	0.33	4.50			
			Total	7		210	10.50	7	0.77	10.94	0.31	11.25	
94	Package 94	1	Valayanodai kanmoi	4	BC	120	6.00	4	0.44	6.44			
		2	Thaniyanendal kanmoi	2	BC	60	3.00	2	0.22	3.00			
			Total	6		180	9.00	6	0.66	9.44	0.26	9.70	
95	Package 95	1	Avudaiyarkovil kanmoi	4	BC	120	6.00	4	0.44	6.44			
		2	Panniyur kanmoi (Sluice No 1 to 2)	2	BC	60	3.00	2	0.22	3.22			

			Total	6		180	9.00	6	0.66	9.66	0.27	9.93	
96	Package 96	1	Panniyur kanmoi (Sluice No 3 to 4)	2	BC	60	3.00	2	0.22	3.22			
		2	Poongudi kanmoi	3	BC	90	4.50	3	0.33	4.83			
			Total	5		150	7.50	5	0.55	8.05	0.23	8.28	
97	Package 97	1	Karuppur kanmoi	5	BC	150	7.50	8	0.88	8.38			
			Total	5		150	7.5	8	0.88	8.38	0.23	8.61	
98	Package 98	1	Peranthani kanmoi	3	BC	90	4.50	3	0.33	4.83			
		2	Maynakudy kanmoi	3	BC	90	4.50	3	0.33	4.83			
			Total	6	0	180	9	6	0.66	9.66	0.27	9.93	
99	Package 99	1	Vilanur kanmoi	4	BC	120	6.00	6	0.66	6.66			

			Total	4	0	120	6.00	6	0.66	6.66	0.19	6.85	
100	Package 100	1	Narikkudy kanmoi	3	BC	90	4.50	3	0.33	4.83			
		2	V.Gudalur kanmoi	4	BC	120	6.00	6	0.66	6.66			
			Total	7		210	10.50	9	0.99	11.49	0.32	11.81	
101	Package 101	1	Venganagaram kanmoi	3	BC	90	4.50	5	0.55	5.05			
		2	Kodendram kanmoi	4	BC	120	6.00	4	0.44	6.44			
			Total	7		210	10.5	9	0.99	11.49	0.32	11.81	
102	Package 102	1	Kattukkarai kanmoi	4	BC	120	6.00	4	0.44	6.44			
		2	Nerkuppai kanmoi	3	BC	90	4.5	3	0.33	4.83			
			Total	7		210	10.5	7	0.77	11.27	0.32	11.59	
103	Package 103	1	Poovalur kanmoi	4	BC	120	6.00	7	0.77	6.77			

			Total	4		120	6	7	0.77	6.77	0.19	6.96	
104	Package 104	1	Purasakkudy kanmoi	4	BC	120	6.00	4	0.44	6.44			
		2	Saliyam kanmoi	3	BC	90	4.50	3	0.33	4.83			
			Total	7	0	210	10.5	7	0.77	11.27	0.32	11.59	
105	Package 105	1	Karungadu kanmoi	4	BC	120	6.00	4	0.44	6.44			
		2	Bhagavanendal kanmoi	2	BC	60	3.00	2	0.22	3.22			
			Total	6	0	180	9	6	0.66	9.66	0.27	9.93	
106	Package 106	1	Perumarudhur kanmoi	4	BC	120	6.00	4	0.44	6.44			
		2	Avudayanendal kanmoi	3	BC	90	4.50	3	0.33	4.83			
			Total	7	0	210	10.5	7	0.77	11.27	0.32	11.59	
107	Package 107	1	Kuduvalyur kanmoi	4	BC	120	6.00	4	0.44	6.44			
		2	Agamudayanendal kanmoi	2	BC	60	3.00	2	0.22	3.22			

			Total	6		180	9.00	6	0.66	9.66	0.27	9.93	
108	Package 108	1	Muthuvarthatty kanmoi	3	BC	90	4.50	3	0.33	4.83			
		2	Edayanvayal kanmoi	3	BC	90	4.50	3	0.33	4.83			
			Total	6		180	9.00	6	0.66	9.66	0.27	9.93	
109	Package 109	1	Sirugavayal kanmoi	4	BC	120	6.00	5	0.55	6.55			
			Total	4	0	120	6	5	0.55	6.55	0.18	6.73	
110	Package 110	1	Keelkarai kanmoi	3	BC	90	4.50	3	0.33	4.83			
		2	Akkathy kanmoi	3	BC	90	4.50	3	0.33	4.83			
			Total	6		180	9.00	6	0.66	9.66	0.27	9.93	
111	Package 111	1	Kidangivayal kanmoi	4	BC	120	6.00	5	0.55	6.55			
			Total	4		120	6.00	5	0.55	6.55	0.18	6.73	
112	Package 112	1	Kudikadu kanmoi	4	BC	120	6.00	5	0.55	6.55			
			Total	4		120	6.00	5	0.55	6.55	0.18	6.73	

113	Package 113	1	Palavarasan kanmoi	3	BC	90	4.50	3	0.33	4.83			
		2	Panayavayal kanmoi	2	BC	60	3.00	2	0.22	3.22			
		3	Perunthurainathapuram kanmoi	1	BC	30	1.50	1	0.11	1.61			
			Total	6		180	9.00	6	0.66	9.66	0.27	9.93	
114	Package 114	1	Keeranur kanmoi	5	BC	150	7.50	10	1.10	8.60			
			Total	5		150	7.50	10	1.10	8.60	0.24	8.84	
115	Package 115	1	Vellur Big Tank	4	BC	120	6.00	4	0.44	6.44			
		2	Nelveli kanmoi	2	BC	60	3.00	2	0.22	3.22			
			Total	6		180	9.00	6.00	0.66	9.66	0.27	9.93	
116	Package 116	1	Karuvithankudi kanmoi	2	BC	60	3.00	2	0.22	3.22			
		2	Seeganivayal kanmoi	2		60	3.00	2	0.22	3.22			
		3	Karuppakuruchi kanmoi	2	BC	60	3.00	2	0.22	3.22			

			Total	6		180	9	6	0.66	9.66	0.27	9.93	
117	Package 117	1	Keelapappanur kanmoi	3	BC	90	4.50	3	0.33	4.83			
		2	Nellivayal kanmoi	4	BC	120	6.00	5	0.55	6.55			
			Total	7		210	10.50	8	0.88	11.38	0.32	11.70	
118	Package 118	1	Vichoor kanmoi	4	BC	120	6.00	7	0.77	6.77			
			Total	4		120	6.00	7	0.77	6.77	0.19	6.96	
119	Package 119	1	Vetanivayal kanmoi	3	BC	90	4.50	3	0.33	4.83			
		2	Perumal kanmoi	4	BC	110	5.50	4	0.44	5.94			
			Total	7		200	10.00	7	0.77	10.77	0.30	11.07	
120	Package 120	1	Nattani kanmoi	2	BC	60	3.00	2	0.22	3.22			
		2	Nariyanendal kanmoi	2	BC	60	3.00	2	0.22	3.22			
		3	Manalur kanmoi	3	BC	90	4.50	3	0.33	4.83			
			Total	7	0	210	10.5	7	0.77	11.27	0.32	11.59	
121	Package 121	1	Karkamalam kanmoi	4	BC	110	5.50	8	0.88	6.38			

			Total	4		110	5.50	8	0.88	6.38	0.18	6.56	
122	Package 122	1	Vellur Siruvarai kanmoi	4	BC	110	5.50	6	0.66	6.16			
			Total	4	BC	110	5.50	6	0.66	6.16	0.17	6.33	
123	Package 123	1	Adavathur kanmoi	3	BC	90	4.50	6	0.66	5.16			
			Total	3		90	4.5	6	0.66	5.16	0.14	5.30	
124	Package 124	1	Payamariyanendal kanmoi	3	BC	90	4.50	4	0.44	4.94			
		2	Ammayanvayal kanmoi	3	BC	90	4.50	3	0.33	4.83			
			Total	6	0	180	9	7	0.77	9.77	0.27	10.04	
125	Package 125	1	Kattupiramanavayal kanmoi	3	BC	90	4.50	8	0.88	5.38			
		2	Puduvanendal kanmoi	2	BC	60	3.00	2	0.22	3.22			
			Total	5	0	150	7.5	10	1.1	8.60	0.24	8.84	
126	Package 126	1	Parimanakudi kanmoi	3	BC	90	4.50	3	0.33	4.83			
		2	Paranur kanmoi	3	BC	90	4.50	3	0.33	4.83			

			Total	6	0	180	9.00	6	0.66	9.66	0.27	9.93	
127	Package 127	1	Karakathikottai kanmoi	3	BC	90	4.50	3	0.33	4.83			
			Total	3		90	4.50	3.00	0.33	4.83	0.14	4.97	
128	Package 128	1	Siruvilathur kanmoi	3	BC	90	4.50	3	0.33	4.83			
		2	Pakkam kanmoi	3	BC	90	4.50	4	0.44	4.94			
			Total	6	0	180	9	7	0.77	9.77	0.27	10.04	
129	Package 129	1	Kodikulam chinna Eri	4	BC	120	6.00	6	0.66	6.66			
			Total	4		120	6.00	6	0.66	6.66	0.19	6.85	
130	Package 130	1	Kodikualm Periyak Eri	3	BC	90	4.50	5	0.55	5.05			
		2	Vilathur kanmoi	3	BC	90	4.50	3	0.33	4.83			
			Total	6	0	180	9	8	0.88	9.88	0.28	10.16	

131	Package 131	1	Manthankudi kanmoi	2	BC	60	3	2	0.22	3.22			
		2	Sathiyadi kanmoi	2	BC	60	3.00	2	0.22	3.22			
		3	Keelkurichi kanmoi	2	BC	60	3.00	2	0.22	3.22			
			Total	6	0	180	9	6	0.66	9.66	0.27	9.93	
132	Package 132	1	Rettayalam kanmoi	4	BC	120	6.00	9	0.99	6.99			
			Total	4		120	6.00	9	0.99	6.99	0.20	7.19	
133	Package 133	1	Keelamanjakudi kanmoi	3	BC	90	4.50	3	0.33	4.83			
		2	Moovanur kanmoi	3	BC	90	4.50	4	0.44	4.94			
			Total	6		180	9.00	7	0.77	9.77	0.27	10.04	
134	Package 134	1	Manjakudi kanmoi	4	BC	110	5.50	10	1.1	6.60			

			Total	4		110	5.50	10	1.1	6.60	0.18	6.78	
135	Package 135	1	Manamelkudi kanmoi	4	BC	120	6.00	11	1.21	7.21			
			Total	4		120	6.00	11	1.21	7.21	0.20	7.41	
			Grand Total	740		21399	1069.94	874	96.14	1166.08	32.65	1198.73	

- 1 Certified that the Tanks Included in the Originally approved DPR of South Vellar Sub Basin Alone are considered now
- 2 Certified that the above works have not been taken up in any other Project
- 3 Certified that the Field Irrigation channel drawing type II is adopted in 288 number of Tanks having black cotton soil.

FORMAT II

Name of Region **Trichy**
Name of Circle **Middle Cauvery Basin Circle,Trichy.**
Name of Division **South Vellar Basin Division, Pudukkottai**
Name of Sub Basin **South Vellar Sub Basin**

Total Number of Tanks taken up under IAMWARM : **288**

Method of procurement : **National shopping**

(Note : Procurement plan to be got approved by World Bank separately)

PACKAGEWISE ABSTRACT

Sl.No	Package No.	Name of Work	No. of Tanks	Total Amount including L.S. (Rs. In Lakhs)	Lining in head irrigation Channels (Length in M)	Flow Measuring Device (Nos.)
1	AP 1/ IAMWARM/ WRD/ SV/ WORKS / I / 2011-2012	Lining of head Irrigation Channel and providing Flow Measuring devices for Avaran Kulam, Panni Periyakulam, Nellikulam in South Vellar Sub Basin in Pudukkottai District.	3	8.55	140	12
		C/o	3	8.55	140	12
		B/f	3	8.55	140	12

2	AP 2/ IAMWARM/ WRD/ SV / WORKS / I / 2011- 2012	Lining of head Irrigation Channel and providing Flow Measuring devices for Valanadu Periyakulam, Vanmbanur Periyakulam, Kappakudi in South Vellar Sub Basin in Pudukkottai District.	3	8.55	140	12
3	AP 3/ IAMWARM/ WRD/ SV/ WORKS/ I / 2011- 2012	Lining of head Irrigation Channel and providing Flow Measuring devices for Pirankulam, Sirankudikulam, Mathinikualm, Valapirankulam, & Kambakulam Sirukulam in South Vellar Sub Basin in Pudukkottai District.	2	9.93	180	6
4	AP 4/ IAMWARM/ WRD/ SV/ WORKS/ I / 2011- 2012	Lining of head Irrigation Channel and providing Flow Measuring devices for Rapusal Periyakulam, Alathur Periyakulam in South Vellar Sub Basin in Pudukkottai District.	2	9.93	180	6
5	AP 5/ IAMWARM/ WRD/ SV/ WORKS/ I / 2011- 2012	Lining of head Irrigation Channel and providing Flow Measuring devices for Kathavampatti Kathavankulam, Kathavampatti Neivakulam in South Vellar Sub Basin in Pudukkottai District.	2	9.93	180	6
		C/o	12	46.90	820	42
		B/f	12	46.90	820	42

6	AP 6/ IAMWARM/ WRD/ SV/ WORKS/ I / 2011- 2012	Lining of head Irrigation Channel and providing Flow Measuring devices for Peyal Periyakuylam, Kathikulam & Palanendal, Veerapatti Periyakulam Sengulam in South Vellar Sub Basin in Pudukkottai District.	2	11.59	210	7
7	AP 7/ IAMWARM/ WRD/ SV/ WORKS/ I / 2011- 2012	Lining of head Irrigation Channel and providing Flow Measuring devices for Veerapatti Eranikulam, Nilayapatti Nilaya Kanmoi in Southe Vellar Sub Basin in Pudukkottai District.	2	11.59	210	7
8	AP 8/ IAMWARM/ WRD/ SV/ WORKS/ I / 2011- 2012	Lining of head Irrigation Channel and providing Flow Measuring devices for Ayangudi Kallukulam & Paravakulam, Kummanthankulam, Mathiyanallur Periyakulam in Southe Vellar Sub Basin in Pudukkottai District.	2	11.59	210	7
9	AP 9/ IAMWARM/ WRD/ SV/ WORKS/ I / 2011- 2012	Lining of head Irrigation Channel and providing Flow Measuring devices for Ayangudi Periyakulam, Vagurankulam & Edayankulam in South Vellar Sub Basin in Pudukkottai District.	1	6.73	120	5
		C/o	19	88.39	1570	68
		B/f	19	88.39	1570	68

10	AP 10/ IAMWARM/ WRD/ SV/ WORKS/ I / 2011-2012	Lining of head Irrigation Channel and providing Flow Measuring devices for Thetanakulam (3 Nos), Velankudi kulam in South Vellar Sub Basin in Pudukkottai District.	2	11.59	210	7
11	AP 11/ IAMWARM/ WRD/ SV/ WORKS/ I / 2011-2012	Lining of head Irrigation Channel and providing Flow Measuring devices for Ariyur Keelakulam & Melakulam in South Vellar Sub Basin in Pudukkottai District.	1	6.73	120	5
12	AP 12/ IAMWARM/ WRD/ SV/ WORKS/ I / 2011-2012	Lining of head Irrigation Channel and providing Flow Measuring devices for Mangudi Periyakulam in South Vellar Sub Basin in Pudukkottai District.	1	6.73	120	5
13	AP 13/ IAMWARM/ WRD/ SV/ WORKS/ I / 2011-2012	Lining of head Irrigation Channel and providing Flow Measuring devices for Visalur Visali kanmoi in South Vellar Sub Basin in Pudukkottai District.	1	6.85	120	6
		C/o	24	120.29	2140	91
		B/f	24	120.29	2140	91

14	AP 14/ IAMWARM/ WRD/ SV/ WORKS/ I / 2011-2012	Lining of head Irrigation Channel and providing Flow Measuring devices for Pannankudy periyakulam in South Vellar Sub Basin in Pudukkottai District.	1	4.97	90	3
15	AP 15/ IAMWARM/ WRD/ SV/ WORKS/ I / 2011-2012	Lining of head Irrigation Channel and providing Flow Measuring devices for Maravamadurai Kanmoi, Karai Kanmoi in South Vellar Sub Basin in Pudukkottai District.	2	4.68	80	5
16	AP 16/ IAMWARM/ WRD/ SV/ WORKS/ I / 2011-2012	Lining of head Irrigation Channel and providing Flow Measuring devices for Athani Tank, Nerujikudi Periya Kanmoi, Oliyamangalam Periya Kanmoi Melathaniyam Periya kanmoi, Keelathaniyam Periya & Chinna Kanmoi, Ayingudi Kanmoi, Neyveli Periya Kanmoi, Nagini Endal Tank, Vadakkupottai Tank in South Vellar Sub Basin in Pudukkottai District.	9	11.34	170	23
		C/o	36	141.27	2480	122
		B/f	36	141.27	2480	122

17	AP 17/ IAMWARM/ WRD/ SV/ WORKS/ I / 2011-2012	Lining of head Irrigation Channel and providing Flow Measuring devices for Therkkupottai Kanmoi, Kulathandan Kanmoi, Senganpithan Kanmoi in South Vellar Sub Basin in Pudukkottai District.	3	9.42	170	6
18	AP 18/ IAMWARM/ WRD/ SV/ WORKS/ I / 2011-2012	Lining of head Irrigation Channel and providing Flow Measuring devices for Sundaram Periya Kanmoi, Kovanur Periya and Chinna Kanmoi in South Vellar Sub Basin in Pudukkottai District.	2	9.53	170	7
19	AP 19/ IAMWARM/ WRD/ SV/ WORKS/ I / 2011-2012	Lining of head Irrigation Channel and providing Flow Measuring devices for Panaya Kanmoi, Mekkini Kanmoi, Valakkurichy Periya Kanmoi, Vellakudi Kanmoi in South Vellar Sub Basin in Pudukkottai District.	4	11.64	200	12
20	AP 20/ IAMWARM/ WRD/ SV/ WORKS/ I / 2011-2012	Lining of head Irrigation Channel and providing Flow Measuring devices for Sathani Kanmoi and Thalan Kanmoi, Edayathur Therkku Kanmoi in South Vellar Sub Basin in Pudukkottai District.	2	9.53	170	7
		C/o	47	181.38	3190	154
		B/f	47	181.38	3190	154

21	AP 21/ IAMWARM/ WRD/ SV/ WORKS/ I/ 2011-2012	Lining of head Irrigation Channel and providing Flow Measuring devices for Arasamalai Periya Kanmoi, Era Kanmoi, Kalani Kanmoi, Gudalur Periya Kanmoi in South Vellar Sub Basin in Pudukkottai District.	4	11.52	200	11
22	AP 22/ IAMWARM/ WRD/ SV/ WORKS/ I/ 2011-2012	Lining of head Irrigation Channel and providing Flow Measuring devices for Illuni Kanmoi, Nallu Kanmoi in South Vellar Sub Basin in Pudukkottai District.	2	7.76	140	5
23	AP 23/ IAMWARM/ WRD/ SV/ WORKS/ I/ 2011-2012	Lining of head Irrigation Channel and providing Flow Measuring devices for Nagara Kanmoi, Kna Kanmoi in South Vellar Sub Basin in Pudukkottai District.	2	9.53	170	7
24	AP 24/ IAMWARM/ WRD/ SV/ WORKS/ I/ 2011-2012	Lining of head Irrigation Channel and providing Flow Measuring devices for Keemana Kanmoi, Alavalandan Kanmoi in South Vellar Sub Basin in Pudukkottai District.	2	9.42	170	6
		C/o	57	219.61	3870	183
		B/f	57	219.61	3870	183

25	AP 25/ IAMWARM/ WRD/ SV/ WORKS/ I / 2011-2012	Lining of head Irrigation Channel and providing Flow Measuring devices for Nattu Kanmoi, Sevalai Kanmoi in South Vellar Sub Basin in Pudukkottai District.	2	11.07	200	7
26	AP 26/ IAMWARM/ WRD/ SV/ WORKS/ I / 2011-2012	Lining of head Irrigation Channel and providing Flow Measuring devices for Chinnani Kanmoi, Rarapuram Periya Kanmoi in South Vellar Sub Basin in Pudukkottai District.	2	8.33	140	10
27	AP 27/ IAMWARM/ WRD/ SV/ WORKS/ I / 2011-2012	Lining of head Irrigation Channel and providing Flow Measuring devices for vagai Kanmoi Rarapuram Pudu Kanmoi, Athik kanmoi in South Vellar Sub Basin in Pudukkottai District.	3	9.98	170	11
28	AP 28/ IAMWARM/ WRD/ SV/ WORKS/ I / 2011-2012	Lining of head Irrigation Channel and providing Flow Measuring devices for Puliyan Kanmoi, Kulamuthi and Mangurichi Kanmoi, Arya Kanmoi in South Vellar Sub Basin in Pudukkottai District.	3	10.96	200	6
		C/o	67	259.95	4580	217
		B/f	67	259.95	4580	217

29	AP 29/ IAMWARM/ WRD/ SV/ WORKS/ I / 2011-2012	Lining of head Irrigation Channel and providing Flow Measuring devices for Peraiyur Periya Kanmoi in South Vellar Sub Basin in Pudukkottai District.	1	6.33	110	6
30	AP 30/ IAMWARM/ WRD/ SV/ WORKS/ I / 2011-2012	Lining of head Irrigation Channel and providing Flow Measuring devices for Malayakulam, Pudukulam, Sengulam, Arasandan Kanmoi, Keela Kanmoi in South Vellar Sub Basin in Pudukkottai District.	3	7.87	140	6
31	AP 31/ IAMWARM/ WRD/ SV/ WORKS/ I / 2011-2012	Lining of head Irrigation Channel and providing Flow Measuring devices for Kadambak Kanmoi, Kotti Kanmoi in South Vellar Sub Basin in Pudukkottai District.	2	11.07	200	7
32	AP 32/ IAMWARM/ WRD/ SV/ WORKS/ I / 2011-2012	Lining of head Irrigation Channel and providing Flow Measuring devices for Mela Kanmoi, Uriya Kanmoi, Kollan, Koppandan Kanmoi in South Vellar Sub Basin in Pudukkottai District.	3	11.07	200	7
		C/o	76	296.30	5230	243
		B/f	76	296.30	5230	243

33	AP 33/ IAMWARM/ WRD/ SV/ WORKS/ I / 2011-2012	Lining of head Irrigation Channel and providing Flow Measuring devices for Thadan Kanmoi, Mamarathu Kanmoi, Nagarathu Kanmoi in South Vellar Sub Basin in Pudukkottai District.	3	9.42	170	6
34	AP 34/ IAMWARM/ WRD/ SV/ WORKS/ I / 2011-2012	Lining of head Irrigation Channel and providing Flow Measuring devices for Mangulam Tank, Siruvakulam in South Vellar Sub Basin in Pudukkottai District.	2	9.76	170	9
35	AP 35/ IAMWARM/ WRD/ SV/ WORKS/ I / 2011-2012	Lining of head Irrigation Channel and providing Flow Measuring devices for Ottakkulam, Thirumulikulam, Uppkulam, Adhidevankulam, Thatchankulam in South Vellar Sub Basin in Pudukkottai District.	5	9.98	170	11
36	AP 36/ IAMWARM/ WRD/ SV/ WORKS/ I / 2011-2012	Lining of head Irrigation Channel and providing Flow Measuring devices for Sethuklam in South Vellar Sub Basin in Pudukkottai District.	1	6.33	110	6
		C/o	87	331.79	5850	275
		B/f	87	331.79	5850	275

37	AP37/ IAMWARM/ WRD/ SV/ WORKS/ I / 2011- 2012	Lining of head Irrigation Channel and providing Flow Measuring devices for Kottiakkarakulam, Vanniyankulam in South Vellar Sub Basin in Pudukkottai District.	2	9.42	170	6
38	AP 38/ IAMWARM/ WRD/ SV/ WORKS/ I / 2011-2012	Lining of head Irrigation Channel and providing Flow Measuring devices for Vannankundu Kulam, Paraian Kulam in South Vellar Sub Basin in Pudukkottai District.	2	9.42	170	6
39	AP 39/ IAMWARM/ WRD/ SV/ WORKS/ I / 2011-2012	Lining of head Irrigation Channel and providing Flow Measuring devices for Sengulam, Sirayan Kanmoi in South Vellar Sub Basin in Pudukkottai District.	2	9.42	170	6
40	AP 40/ IAMWARM/ WRD/ SV/ WORKS/ I / 2011-2012	Lining of head Irrigation Channel and providing Flow Measuring devices for Ambalakaran kulam, Maramadaki Kanmoi, Thattanpudukulam in South Vellar Sub Basin in Pudukkottai District.	3	9.53	170	7
		C/o	96	369.57	6530	300
		B/f	96	369.57	6530	300

41	AP 41/ IAMWARM/ WRD/ SV/ WORKS/ I / 2011-2012	Lining of head Irrigation Channel and providing Flow Measuring devices for Agarakulam , Ambalkulam in South Vellar Sub Basin in Pudukkottai District.	2	9.53	170	7
42	AP 42/ IAMWARM/ WRD/ SV/ WORKS/ I / 2011-2012	Lining of head Irrigation Channel and providing Flow Measuring devices for Alinjikanmoi, Senthankudi Nachiyarkulam in South Vellar Sub Basin in Pudukkottai District.	2	9.87	170	10
43	AP 43/ IAMWARM/ WRD/ SV/ WORKS/ I / 2011-2012	Lining of head Irrigation Channel and providing Flow Measuring devices for Saravanakulam, Thanthirankulam, Neppiyakulam in South Vellar Sub Basin in Pudukkottai District.	3	11.07	200	7
44	AP 44/ IAMWARM/ WRD/ SV/ WORKS/ I / 2011-2012	Lining of head Irrigation Channel and providing Flow Measuring devices for Senthakkulam, Kothamangalam Kanmoi in South Vellar Sub Basin in Pudukkottai District.	2	9.42	170	6
45	AP 45/ IAMWARM/ WRD/ SV/ WORKS/ I / 2011-2012	Lining of head Irrigation Channel and providing Flow Measuring devices for Sethukanmoi (Sluice No 1 to 5) in South Vellar Sub Basin in Pudukkottai District.	1	6.22	110	5
		C/o	106	415.67	7350	335
		B/f	106	415.67	7350	335

46	AP 46/ IAMWARM/ WRD/ SV/ WORKS/ I / 2011-2012	Lining of head Irrigation Channel and providing Flow Measuring devices for Sethukanmoi (Sluice No 6 to 10) in South Vellar Sub Basin in Pudukkottai District.	1	6.22	110	5
47	AP 47/ IAMWARM/ WRD/ SV/ WORKS/ I / 2011-2012	Lining of head Irrigation Channel and providing Flow Measuring devices for Sethukanmoi (Sluice No 10 to 15) in South Vellar Sub Basin in Pudukkottai District.	1	6.22	110	5
48	AP 48/ IAMWARM/ WRD/ SV/ WORKS/ I / 2011-2012	Lining of head Irrigation Channel and providing Flow Measuring devices for Kothadikanmoi, Panayakanmoi in South Vellar Sub Basin in Pudukkottai District.	2	9.42	170	6
49	AP 49/ IAMWARM/ WRD/ SV/ WORKS/ I / 2011-2012	Lining of head Irrigation Channel and providing Flow Measuring devices for Melikanmoi in South Vellar Sub Basin in Pudukkottai District.	1	6.45	110	7
50	AP 50/ IAMWARM/ WRD/ SV/ WORKS/ I / 2011-2012	Lining of head Irrigation Channel and providing Flow Measuring devices for Manakkanmoi in South Vellar Sub Basin in Pudukkottai District.	1	6.33	110	6
		C/o	112	450.31	7960	364
		B/f	112	450.31	7960	364

51	AP 51/ IAMWARM/ WRD/ SV/ WORKS/ I / 2011-2012	Lining of head Irrigation Channel and providing Flow Measuring devices for Samanthankanmoi, Samuthiram Kanmoi in South Vellar Sub Basin in Pudukkottai District.	2	9.42	170	6
52	AP 52/ IAMWARM/ WRD/ SV/ WORKS/ I / 2011-2012	Lining of head Irrigation Channel and providing Flow Measuring devices for Thanjikanmoi in South Vellar Sub Basin in Pudukkottai District.	1	6.33	110	6
53	AP 53/ IAMWARM/ WRD/ SV/ WORKS/ I / 2011-2012	Lining of head Irrigation Channel and providing Flow Measuring devices for Isuhukkanmoi, Keelathemuthu Kanmoi in South Vellar Sub Basin in Pudukkottai District.	2	11.07	200	7
54	AP 54/ IAMWARM/ WRD/ SV/ WORKS/ I / 2011-2012	Lining of head Irrigation Channel and providing Flow Measuring devices for Odakulam, Athani Kanmoi in SouthVellar Sub Basin in Pudukkottai District.	2	11.07	200	7
55	AP 55/ IAMWARM/ WRD/ SV/ WORKS/ I / 2011-2012	Lining of head Irrigation Channel and providing Flow Measuring devices for Melathyamuthu Kanmoi, Velukudi Kanmoi & Thevanakanmoi, Velaiseivan vayal Kanmoi in South Vellar Sub Basin in Pudukkottai District.	2	11.07	200	7
		C/o	121	499.27	8840	397
		B/f	121	499.27	8840	397

56	AP 56/ IAMWARM/ WRD/ SV/ WORKS/ I / 2011-2012	Lining of head Irrigation Channel and providing Flow Measuring devices for Thalicheri Kanmoi, Thykattur Periyakulam in South Vellar Sub Basin in Pudukkottai District.	2	11.07	200	7
57	AP 57/ IAMWARM/ WRD/ SV/ WORKS/ I / 2011-2012	Lining of head Irrigation Channel and providing Flow Measuring devices for Seruvani Kanmoi, Kudithangikanmoi, Allampatti Kanmoi in South Vellar Sub Basin in Pudukkottai District.	2	9.53	170	7
58	AP 58/ IAMWARM/ WRD/ SV/ WORKS/ I / 2011-2012	Lining of head Irrigation Channel and providing Flow Measuring devices for Kovinjankanmoi in South Vellar Sub Basin in Pudukkottai District.	1	6.33	110	6
59	AP 59/ IAMWARM/ WRD/ SV/ WORKS/ I / 2011-2012	Lining of head Irrigation Channel and providing Flow Measuring devices for Perungudi Kanmoi Vadaku Kanmoi in South Vellar Sub Basin in Pudukkottai District.	1	6.22	110	5
60	AP 60/ IAMWARM/ WRD/ SV/ WORKS/ I / 2011-2012	Lining of head Irrigation Channel and providing Flow Measuring devices for Kadayakudi Kanmoi, Pudukanmoi in South Vellar Sub Basin in Pudukkottai District.	1	6.45	110	7
		C/o	128	538.87	9540	429
		B/f	128	538.87	9540	429

61	AP 61/ IAMWARM/ WRD/ SV/ WORKS/ I / 2011-2012	Lining of head Irrigation Channel and providing Flow Measuring devices for Arimalam Pudukanmoi in South Vellar Sub Basin in Pudukkottai District.	1	6.22	110	5
62	AP 62/ IAMWARM/ WRD/ SV/ WORKS/ I / 2011-2012	Lining of head Irrigation Channel and providing Flow Measuring devices for Narpavalakudi Kanmoi (Sluice No 1 to 5) in South Vellar Sub Basin in Pudukkottai District.	1	6.22	110	5
63	AP 63/ IAMWARM/ WRD/ SV/ WORKS/ I / 2011-2012	Lining of head Irrigation Channel and providing Flow Measuring devices for Narpavalakudi Kanmoi (Sluice No 6 to 10) in South Vellar Sub Basin in Pudukkottai District.	1	6.22	110	5
64	AP 64/ IAMWARM/ WRD/ SV/ WORKS/ I / 2011-2012	Lining of head Irrigation Channel and providing Flow Measuring devices for Kongudi Kanmoi, Pachalur Kanmoi in Southe Vellar Sub Basin in Pudukkottai District.	2	11.07	200	7
65	AP 65/ IAMWARM/ WRD/ SV/ WORKS/ I / 2011-2012	Lining of head Irrigation Channel and providing Flow Measuring devices for Kulathur Kanmoi (Sluice No 1 to 4)Kudikadu Kanmoi in Southe Vellar Sub Basin in Pudukkottai District.	2	11.07	200	7
		C/o	135	579.67	10270	458
		B/f	135	579.67	10270	458

66	AP 66/ IAMWARM/ WRD/ SV/ WORKS/ I / 2011-2012	Lining of head Irrigation Channel and providing Flow Measuring devices for Kulathur Kanmoi (Sluice No 5 to 8) in SouthVellar Sub Basin in Pudukkottai District.	1	6.11	110	4
67	AP 67/ IAMWARM/ WRD/ SV/ WORKS/ I / 2011-2012	Lining of head Irrigation Channel and providing Flow Measuring devices for Vahanvayal Kanmoi in Southe Vellar Sub Basin in Pudukkottai District.	1	6.11	110	4
68	AP 68/ IAMWARM/ WRD/ SV/ WORKS/ I / 2011-2012	Lining of head Irrigation Channel and providing Flow Measuring devices for Karuvedacheri Kanmoi (Sluice No 1 to 4) in Southe Vellar Sub Basin in Pudukkottai District.	1	6.11	110	4
69	AP 69/ IAMWARM/ WRD/ SV/ WORKS/ I / 2011-2012	Lining of head Irrigation Channel and providing Flow Measuring devices for Karuvedacheri Kanmoi (Sluice No 5 to 8) in South Vellar Sub Basin in Pudukkottai District.	1	6.11	110	4
70	AP 70/ IAMWARM/ WRD/ SV/ WORKS/ I / 2011-2012	Lining of head Irrigation Channel and providing Flow Measuring devices for Alapiranthan Kanmoi in Southe Vellar Sub Basin in Pudukkottai District.	1	6.33	110	6
		C/o	140	610.43	10820	480
		B/f	140	610.43	10820	480

71	AP 71/ IAMWARM/ WRD/ SV/ WORKS/ I / 2011-2012	Lining of head Irrigation Channel and providing Flow Measuring devices for Kurubur Kanmoi in Southe Vellar Sub Basin in Pudukkottai District.	1	6.33	110	6
72	AP 72/ IAMWARM/ WRD/ SV/ WORKS/ I / 2011-2012	Lining of head Irrigation Channel and providing Flow Measuring devices for Serunattanvayal Kanmoi in South Vellar Sub Basin in Pudukkottai District.	1	6.11	110	4
73	AP 73/ IAMWARM/ WRD/ SV/ WORKS/ I / 2011-2012	Lining of head Irrigation Channel and providing Flow Measuring devices for Perunjakulam Kanmoi, Kudimeri Kanmoi, Pudukulam Kanmoi in South Vellar Sub Basin in Pudukkottai District.	3	7.87	140	6
74	AP 74/ IAMWARM/ WRD/ SV/ WORKS/ I / 2011-2012	Lining of head Irrigation Channel and providing Flow Measuring devices for Keelavetti vayal kanmoi, Konguranvayal Kanmoi, Alangudi Kanmoi , Varappoor Kanmoi, Vanniyapillaivayal Kanimoi in South Vellar Sub Basin in Pudukkottai District.	5	9.30	170	5
		C/o	150	640.04	11350	501
		B/f	150	640.04	11350	501

75	AP 75/ IAMWARM/ WRD/ SV/ WORKS/ I / 2011-2012	Lining of head Irrigation Channel and providing Flow Measuring devices for Melasuriyakulam, Melappattu Kanmoi, Keelakadu Kanmoi, Sothyarodai Kanmoi, Edaiyankadu Kanmoi, Mamandai Kanmoi, Perungadu Kanmoi, Manchapathi Kanmoi, Vengoor Kanmoi, in South Vellar Sub Basin in Pudukkottai District.	9	9.76	170	9
76	AP 76/ IAMWARM/ WRD/ SV/ WORKS/ I / 2011-2012	Lining of head Irrigation Channel and providing Flow Measuring devices for Mylandi Kanmoi, Melamangalam Kanmoi, Seplavayal Kanmoi in South Vellar Sub Basin in Pudukkottai District.	3	15.13	290	2
77	AP 77/ IAMWARM/ WRD/ SV/ WORKS/ I / 2011-2012	Lining of head Irrigation Channel and providing Flow Measuring devices for Etticheri Kanmoi, Pallathakulam Kanmoi in South Vellar Sub Basin in Pudukkottai District.	2	9.08	170	3
78	AP 78/ IAMWARM/ WRD/ SV/ WORKS/ I / 2011-2012	Lining of head Irrigation Channel and providing Flow Measuring devices for Avavayal Kanmoi, Echankudy kanmoi in South vellar Sub Basin in Pudukkottai District.	2	10.51	200	2
		C/o	166	684.51	12180	517
		B/f	166	684.51	12180	517

79	AP 79/ IAMWARM/ WRD/ SV/ WORKS/ I / 2011-2012	Lining of head Irrigation Channel and providing Flow Measuring devices for Ariyamaraikadu Kanmoi, Karanikadu Kanmoi, in SouthVellar Sub Basin in Pudukkottai District.	2	10.51	200	2
80	AP 80/ IAMWARM/ WRD/ SV/ WORKS/ I / 2011-2012	Lining of head Irrigation Channel and providing Flow Measuring devices for Karungulikadu Kanmoi, Enathy kanmoi, Idayankottai kanmoi in SouthVellar Sub Basin in Pudukkottai District.	3	5.99	110	3
81	AP 81/ IAMWARM/ WRD/ SV/ WORKS/ I / 2011-2012	Lining of head Irrigation Channel and providing Flow Measuring devices for Pudevakadu kanmoi, Kunnur kanmoi, Amanji kanmoi, Allarai kanmoi, Kundagavayal kanmoi, Uthanikadu kanmoi in SouthVellar Sub Basin in Pudukkottai District.	6	10.96	200	6
82	AP 82/ IAMWARM/ WRD/ SV/ WORKS/ I / 2011-2012	Lining of head Irrigation Channel and providing Flow Measuring devices for Pallathivayal kanmoi, Panchathi kanmoi in SouthVellar Sub Basin in Pudukkottai District.	2	10.51	200	2
		C/o	179	722.48	12890	530
		B/f	179	722.48	12890	530

83	AP 83/ IAMWARM/ WRD/ SV/ WORKS/ I / 2011-2012	Lining of head Irrigation Channel and providing Flow Measuring devices for Athitanpatti Kanmoi & Janaganendal Kanmoi, Saniyankadu Kanmoi, Keelachery Kanmoi, Silambavayal Kanmoi, Maruthakudi Kanmoi, Nanakudi Kanmoi, Kodugavayal Kanmoi, Navinivayal Kanmoi, Kanakkanvayal Kanmoi, Sevanthankadu Kanmoi in SouthVellar Sub Basin in Pudukkottai District.	10	9.87	170	10
84	AP 84/ IAMWARM/ WRD/ SV/ WORKS/ I / 2011-2012	Lining of head Irrigation Channel and providing Flow Measuring devices for Karavayal kanmoi, Karukulithavu Kanmoi, Kallanendal Kanmoi in SouthVellar Sub Basin in Pudukkottai District.	3	9.08	170	3
85	AP 85/ IAMWARM/ WRD/ SV/ WORKS/ I / 2011-2012	Lining of head Irrigation Channel and providing Flow Measuring devices for Pirajapathy kanmoi, Sembodai kanmoi in SouthVellar Sub Basin in Pudukkottai District.	2	4.34	80	2
86	AP 86/ IAMWARM/ WRD/ SV/ WORKS/ I / 2011-2012	Lining of head Irrigation Channel and providing Flow Measuring devices for Paramanthur Kela Eri, Paramanthur Mela Eri, Perumalpatti kanmoi, Melavettivayal kanmoi, Sullani kanmoi, Urvani kanmoi, Chettiendal kanmoi in SouthVellar Sub Basin in Pudukkottai District.	7	9.53	170	7
		C/o	201	755.29	13480	552
		B/f	201	755.29	13480	552

87	AP 87/ IAMWARM/ WRD/ SV/ WORKS/ I / 2011-2012	Lining of head Irrigation Channel and providing Flow Measuring devices for Pakkudi Kanmoi, Pallathivayal Kanmoi, in SouthVellar Sub Basin in Pudukkottai District.	2	8.96	170	2
88	AP 88/ IAMWARM/ WRD/ SV/ WORKS/ I / 2011-2012	Lining of head Irrigation Channel and providing Flow Measuring devices for Sevidankadu Kanmoi Veeramangalam in SouthVellar Sub Basin in Pudukkottai District.	2	9.30	170	5
89	AP 89/ IAMWARM/ WRD/ SV/ WORKS/ I / 2011-2012	Lining of head Irrigation Channel and providing Flow Measuring devices for Sellappankottai Kanmoi, Sambooraniendal kanmoi in SouthVellar Sub Basin in Pudukkottai District.	2	8.21	149	5
90	AP 90/ IAMWARM/ WRD/ SV/ WORKS/ I / 2011-2012	Lining of head Irrigation Channel and providing Flow Measuring devices for Chinaveeramangalam Kanmoi, Karambakudi Kanmoi (Sluice No 1) in SouthVellar Sub Basin in Pudukkottai District.	2	9.08	170	3
91	AP 91/ IAMWARM/ WRD/ SV/ WORKS/ I / 2011-2012	Lining of head Irrigation Channel and providing Flow Measuring devices for Mullianvayal Kanmoi, Perunavalur Kanmoi in SouthVellar Sub Basin in Pudukkottai District.	2	6.11	110	4
		C/o	211	796.96	14249	571
		B/f	211	796.96	14249	571

92	AP 92/ IAMWARM/ WRD/ SV/ WORKS/ I / 2011-2012	Lining of head Irrigation Channel and providing Flow Measuring devices for Karambakudi Kanmoi (Sluice No 2 to 4) Meenankudieruppu Kanmoi, Punniyanendal Kanmoi in SouthVellar Sub Basin in Pudukkottai District.	3	11.07	200	7
93	AP 93/ IAMWARM/ WRD/ SV/ WORKS/ I / 2011-2012	Lining of head Irrigation Channel and providing Flow Measuring devices for Karambakudi Kanmoi (Sluice No 5 to 8) Klangudy Kanmoi in SouthVellar Sub Basin in Pudukkottai District.	2	11.59	210	7
94	AP 94/ IAMWARM/ WRD/ SV/ WORKS/ I / 2011-2012	Lining of head Irrigation Channel and providing Flow Measuring devices for Valayanodai Kanmoi, Thaniyanendal Kanmoi in SouthVellar Sub Basin in Pudukkottai District.	2	9.93	180	6
95	AP 95/ IAMWARM/ WRD/ SV/ WORKS/ I / 2011-2012	Lining of head Irrigation Channel and providing Flow Measuring devices for Avudaiyarkovil kanmoi, Panniyur kanmoi (Sluice No 1 to 2) in SouthVellar Sub Basin in Pudukkottai District.	2	9.93	180	6
96	AP 96/ IAMWARM/ WRD/ SV/ WORKS/ I / 2011-2012	Lining of head Irrigation Channel and providing Flow Measuring devices for Panniyur Kanmoi (Sluice No 3 to 4) Poongudi Kanmoi in SouthVellar Sub Basin in Pudukkottai District.	2	8.28	150	5
		C/o	222	847.75	15169	602
		B/f	222	847.75	15169	602

97	AP 97/ IAMWARM/ WRD/ SV/ WORKS/ I / 2011-2012	Lining of head Irrigation Channel and providing Flow Measuring devices for Karuppur Kanmoi in SouthVellar Sub Basin in Pudukkottai District.	1	8.61	150	8
98	AP 98/ IAMWARM/ WRD/ SV/ WORKS/ I / 2011-2012	Lining of head Irrigation Channel and providing Flow Measuring devices for Peranthani Kanmoi, Maynakudy Kanmoi in SouthVellar Sub Basin in Pudukkottai District.	2	9.93	180	6
99	AP 99/ IAMWARM/ WRD/ SV/ WORKS/ I / 2011-2012	Lining of head Irrigation Channel and providing Flow Measuring devices for Vilanur Kanmoi in SouthVellar Sub Basin in Pudukkottai District.	1	6.85	120	6
100	AP 100/ IAMWARM/ WRD/ SV/ WORKS/ I / 2011-2012	Lining of head Irrigation Channel and providing Flow Measuring devices for Narikkudy Kanmoi, V.Gudalur Kanmoi in SouthVellar Sub Basin in Pudukkottai District.	2	11.81	210	9
101	AP 101/ IAMWARM/ WRD/ SV/ WORKS/ I / 2011-2012	Lining of head Irrigation Channel and providing Flow Measuring devices for Venganagaram Kanmoi, Kodendram Kanmoi in SouthVellar Sub Basin in Pudukkottai District.	2	11.81	210	9
		C/o	230	896.77	16039	640
		B/f	230	896.77	16039	640

102	AP 102/ IAMWARM/ WRD/ SV/ WORKS/ I / 2011-2012	Lining of head Irrigation Channel and providing Flow Measuring devices for Kattukkarai kanmoi, Nerkuppai kanmoi in SouthVellar Sub Basin in Pudukkottai District.	2	11.59	210	7
103	AP 103/ IAMWARM/ WRD/ SV/ WORKS/ I / 2011-2012	Lining of head Irrigation Channel and providing Flow Measuring devices for Poovalur Kanmoi in SouthVellar Sub Basin in Pudukkottai District.	1	6.96	120	7
104	AP 104/ IAMWARM/ WRD/ SV/ WORKS/ I / 2011-2012	Lining of head Irrigation Channel and providing Flow Measuring devices for Purasakkudy Kanmoi, Saliyam Kanmoi in SouthVellar Sub Basin in Pudukkottai District.	2	11.59	210	7
105	AP 105/ IAMWARM/ WRD/ SV/ WORKS/ I / 2011-2012	Lining of head Irrigation Channel and providing Flow Measuring devices for Karungadu Kanmoi, Bhagavanendal Kanmoi in SouthVellar Sub Basin in Pudukkottai District.	2	9.93	180	6
106	AP 106/ IAMWARM/ WRD/ SV/ WORKS/ I / 2011-2012	Lining of head Irrigation Channel and providing Flow Measuring devices for Perumarudhur kanmoi, Avudayanendal kanmoi in SouthVellar Sub Basin in Pudukkottai District.	2	11.59	210	7
		C/o	239	948.41	16969	674
		B/f	239	948.41	16969	674

107	AP 107/ IAMWARM/ WRD/ SV/ WORKS/ I / 2011-2012	Lining of head Irrigation Channel and providing Flow Measuring devices for Kuduvalyur Kanmoi, Agamudayanendal Kanmoi in SouthVellar Sub Basin in Pudukkottai District.	2	9.93	180	6
108	AP 108/ IAMWARM/ WRD/ SV/ WORKS/ I / 2011-2012	Lining of head Irrigation Channel and providing Flow Measuring devices for Muthuvarthatty kanmoi, Edayanvayal kanmoi in SouthVellar Sub Basin in Pudukkottai District.	2	9.93	180	6
109	AP 109/ IAMWARM/ WRD/ SV/ WORKS/ I / 2011-2012	Lining of head Irrigation Channel and providing Flow Measuring devices for Sirugavayal kanmoi in SouthVellar Sub Basin in Pudukkottai District.	1	6.73	120	5
110	AP 110/ IAMWARM/ WRD/ SV/ WORKS/ I / 2011-2012	Lining of head Irrigation Channel and providing Flow Measuring devices for Keelkarai kanmoi, Akkathy kanmoi in SouthVellar Sub Basin in Pudukkottai District.	2	9.93	180	6
111	AP 111/ IAMWARM/ WRD/ SV/ WORKS/ I / 2011-2012	Lining of head Irrigation Channel and providing Flow Measuring devices for Kidangivayal kanmoi in SouthVellar Sub Basin in Pudukkottai District.	1	6.73	120	5
		C/o	247	991.67	17749	702
		B/f	247	991.67	17749	702

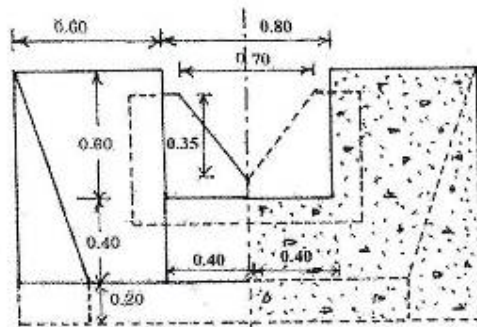
112	AP 112/ IAMWARM/ WRD/ SV/ WORKS/ I / 2011-2012	Lining of head Irrigation Channel and providing Flow Measuring devices for Kudikadu Kanmoi in SouthVellar Sub Basin in Pudukkottai District.	1	6.73	120	5
113	AP 113/ IAMWARM/ WRD/ SV/ WORKS/ I / 2011-2012	Lining of head Irrigation Channel and providing Flow Measuring devices for Palavarasan kanmoi, Panayavayal kanmoi, Perunthurainathapuram kanmoi in SouthVellar Sub Basin in Pudukkottai District.	3	9.93	180	6
114	AP 114/ IAMWARM/ WRD/ SV/ WORKS/ I / 2011-2012	Lining of head Irrigation Channel and providing Flow Measuring devices for Keeranur kanmoi in SouthVellar Sub Basin in Pudukkottai District.	1	8.84	150	10
115	AP 115/ IAMWARM/ WRD/ SV/ WORKS/ I / 2011-2012	Lining of head Irrigation Channel and providing Flow Measuring devices for Vellur Big Tank, Nelveli kanmoi in SouthVellar Sub Basin in Pudukkottai District.	2	9.93	180	6
116	AP 116/ IAMWARM/ WRD/ SV/ WORKS/ I / 2011-2012	Lining of head Irrigation Channel and providing Flow Measuring devices for Karuvithankudi kanmoi, Seeganivayal kanmoi, Karuppakuruchi kanmoi in SouthVellar Sub Basin in Pudukkottai District.	3	9.93	180	6
		C/o	257	1037.04	18559	735
		B/f	257	1037.04	18559	735

117	AP 117/ IAMWARM/ WRD/ SV/ WORKS/ I/ 2011-2012	Lining of head Irrigation Channel and providing Flow Measuring devices for Keelapappanur kanmoi, Nellivayal kanmoi in SouthVellar Sub Basin in Pudukkottai District.	2	11.70	210	8
118	AP 118/ IAMWARM/ WRD/ SV/ WORKS/ I/ 2011-2012	Lining of head Irrigation Channel and providing Flow Measuring devices for Vichoor kanmoi in SouthVellar Sub Basin in Pudukkottai District.	1	6.96	120	7
119	AP 119/ IAMWARM/ WRD/ SV/ WORKS/ I/ 2011-2012	Lining of head Irrigation Channel and providing Flow Measuring devices for Vetanivayal kanmoi, Perumal kanmoi in SouthVellar Sub Basin in Pudukkottai District.	2	11.07	200	7
120	AP 120/ IAMWARM/ WRD/ SV/ WORKS/ I/ 2011-2012	Lining of head Irrigation Channel and providing Flow Measuring devices for Nattani kanmoi, Nariyanendal kanmoi, Manalur Kanmoi in SouthVellar Sub Basin in Pudukkottai District.	3	11.59	210	7
121	AP 121/ IAMWARM/ WRD/ SV/ WORKS/ I/ 2011-2012	Lining of head Irrigation Channel and providing Flow Measuring devices for Karkamalam kanmoi in SouthVellar Sub Basin in Pudukkottai District.	1	6.56	110	8
		C/o	266	1084.91	19409	772
		B/f	266	1084.91	19409	772

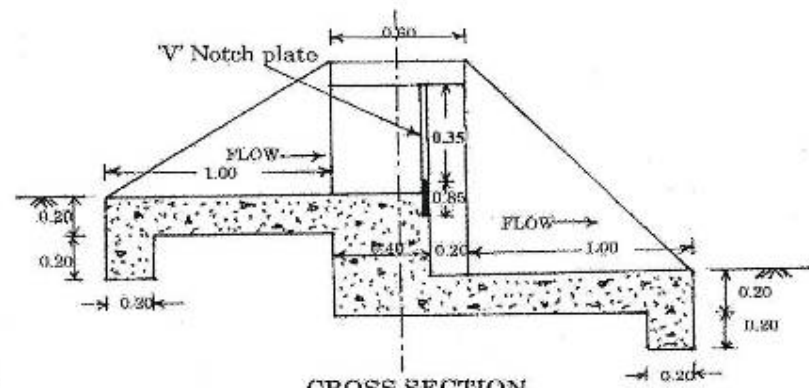
122	AP 122/ IAMWARM/ WRD/ SV/ WORKS/ I / 2011-2012	Lining of head Irrigation Channel and providing Flow Measuring devices for Vellur Siruvarai kanmoi in SouthVellar Sub Basin in Pudukkottai District.	1	6.33	110	6
123	AP 123/ IAMWARM/ WRD/ SV/ WORKS/ I / 2011-2012	Lining of head Irrigation Channel and providing Flow Measuring devices for Adavathur kanmoi, in SouthVellar Sub Basin in Pudukkottai District.	1	5.30	90	6
124	AP 124/ IAMWARM/ WRD/ SV/ WORKS/ I / 2011-2012	Lining of head Irrigation Channel and providing Flow Measuring devices for Payamaraiyenendal kanmoi, Ammayanvayal kanmoi in SouthVellar Sub Basin in Pudukkottai District.	2	10.04	180	7
125	AP 125/ IAMWARM/ WRD/ SV/ WORKS/ I / 2011-2012	Lining of head Irrigation Channel and providing Flow Measuring devices for Kattupiramnavayal kanmoi, Puduvanendal kanmoi in SouthVellar Sub Basin in Pudukkottai District.	2	8.84	150	10
126	AP 126/ IAMWARM/ WRD/ SV/ WORKS/ I / 2011-2012	Lining of head Irrigation Channel and providing Flow Measuring devices for Parimanakudi kanmoi, Paranur Kanmoi in SouthVellar Sub Basin in Pudukkottai District.	2	9.93	180	6
		C/o	274	1125.36	20119	807
		B/f	274	1125.36	20119	807

127	AP 127/ IAMWARM/ WRD/ SV/ WORKS/ I / 2011-2012	Lining of head Irrigation Channel and providing Flow Measuring devices for Karakathikottai kanmoi in SouthVellar Sub Basin in Pudukkottai District.	1	4.97	90	3
128	AP 128/ IAMWARM/ WRD/ SV/ WORKS/ I / 2011-2012	Lining of head Irrigation Channel and providing Flow Measuring devices for Siruvilathur kanmoi, Pakkam Kanmoi in SouthVellar Sub Basin in Pudukkottai District.	2	10.04	180	7
129	AP 129/ IAMWARM/ WRD/ SV/ WORKS/ I / 2011-2012	Lining of head Irrigation Channel and providing Flow Measuring devices for Kodikulam Chinna Eri in SouthVellar Sub Basin in Pudukkottai District.	1	6.85	120	6
130	AP 130/ IAMWARM/ WRD/ SV/ WORKS/ I / 2011-2012	Lining of head Irrigation Channel and providing Flow Measuring devices for Kodikulam Periya Eri, Vilathur Kanmoi in SouthVellar Sub Basin in Pudukkottai District.	2	10.16	180	8
131	AP 131/ IAMWARM/ WRD/ SV/ WORKS/ I / 2011-2012	Lining of head Irrigation Channel and providing Flow Measuring devices for Manthankudi kanmoi, Sathiyadi kanmoi, Keelkurichi kanmoi in SouthVellar Sub Basin in Pudukkottai District.	3	9.93	180	6
		C/o	283	1167.30	20869	837
		B/f	283	1167.30	20869	837

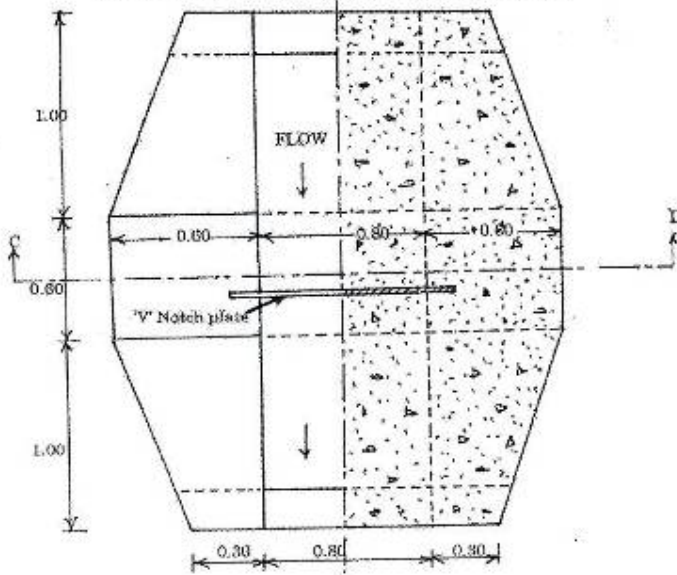
132	AP 132/ IAMWARM/ WRD/ SV/ WORKS/ I / 2011-2012	Lining of head Irrigation Channel and providing Flow Measuring devices for Rettayalam kanmoi in SouthVellar Sub Basin in Pudukkottai District.	1	7.19	120	9
133	AP 133/ IAMWARM/ WRD/ SV/ WORKS/ I / 2011-2012	Lining of head Irrigation Channel and providing Flow Measuring devices for Keelamanjakudi kanmoi, Moovanur Kanmoi in SouthVellar Sub Basin in Pudukkottai District.	2	10.04	180	7
134	AP 134/ IAMWARM/ WRD/ SV/ WORKS/ I / 2011-2012	Lining of head Irrigation Channel and providing Flow Measuring devices for Manjakudi kanmoi in SouthVellar Sub Basin in Pudukkottai District.	1	6.78	110	10
		C/o	287	1191.32	21279	863
		B/f	287	1191.32	21279	863
135	AP 135/ IAMWARM/ WRD/ SV/ WORKS/ I / 2011-2012	Lining of head Irrigation Channel and providing Flow Measuring devices for Manamelkudi kanmoi in SouthVellar Sub Basin in Pudukkottai District.	1	7.41	120	11
		Total	288	1198.73	21399	874



HALF DIRECT ELEVATION AND HALF SECTIONAL ELEVATION AT 'CD'



CROSS SECTION



HALF PLAN AT TOP AND HALF PLAN AT BOTTOM

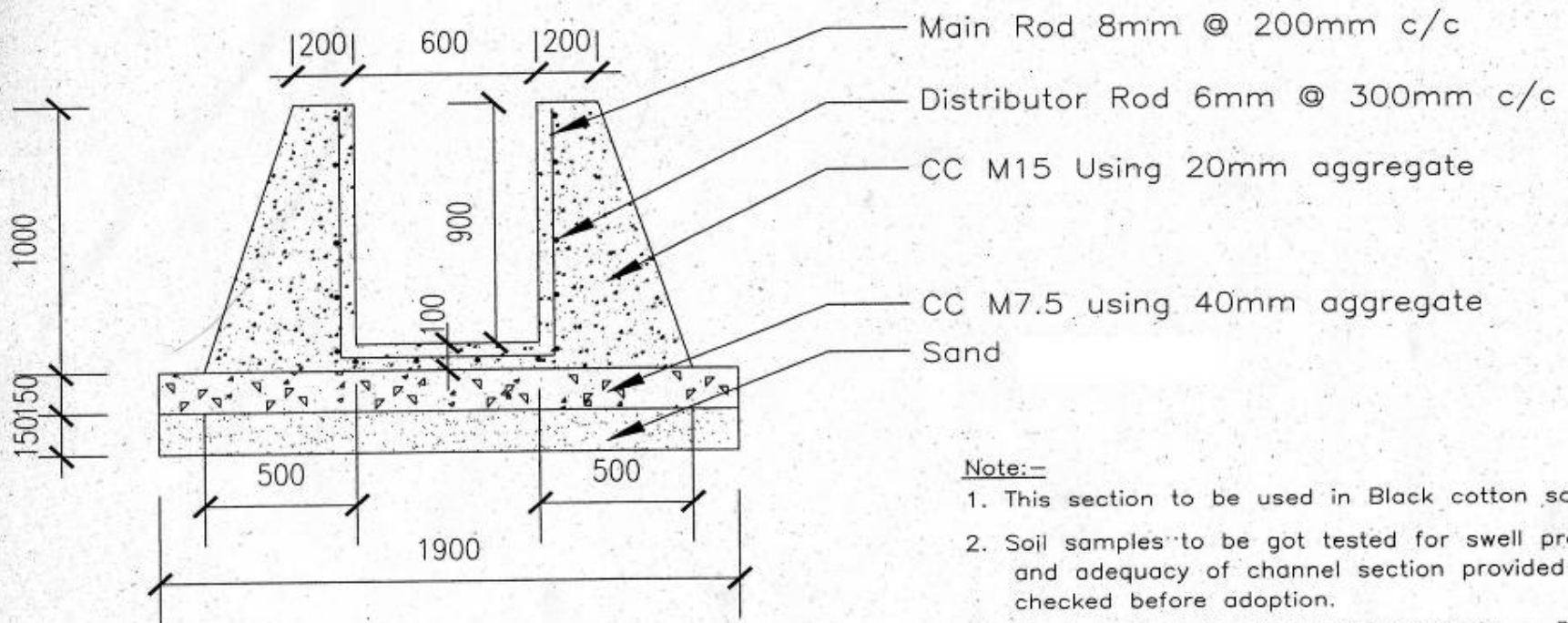
TYPE - C
3 CLASS V-NOTCH

V-NOTCH - SALIENT DETAILS (For 1 to 4 C/s)

Discharge		Head Over Crest	V-notch size	Overall size
Cusec	Litre / sec.	Cm	Cm	Cm
1	283	20.5	25 x 50	50 x 85
2	566	27	30 x 60	50 x 75
3	85	32	35 x 70	55 x 90
4	113.27	36	42 x 84	60 x 100

IAMWARM PROJECT - PHASE IV
PARALAIYAR SUB BASIN
PROVIDING FLOW MEASURING
DEVICE (V-NOTCH) IN THE FIELD
CHANNEL OF TANK SLUICE
Scale : 1cm = 0.25m
All dimension are in 'Metre'

LINING OF IRRIGATION CHANNEL
TYPICAL CROSS SECTION
FOR BLACK COTTON SOIL



Note:-

1. This section to be used in Black cotton soil.
2. Soil samples to be got tested for swell pressure and adequacy of channel section provided to be checked before adoption.
3. Nominal cover to steel reinforcements = 30 mm

IAMWARM PROJECT
 KOTTAKARAIYAR SUB BASIN
 IRRIGATION CHANNEL LINING
 Scale:-1:1000
 All dimension are in **MM**