



PUBLIC WORKS DEPARTMENT

WATER RESOURCES ORGANISATION

MADURAI REGION

TN – IAMWARM PROJECT

KOTTAKARAIYAR SUB BASIN

**ADDITIONAL DETAILED PROJECT
REPORT**

Estimate Amount: Rs.930.02 Lakhs

NODAL DIVISION:

SARUGANIYAR BASIN DIVISION

SIVAGANGA

**Additional proposals for providing Lining of Head Irrigation Channel and Flow
Measuring Device in Kottakaraiyar sub basin (Phase I)
under IAMWARM Project**

The lining of Head irrigation channel and installation of measuring device has been proposed for Phase I and II sub basins by utilizing the Project Savings as discussed with the World Bank, during the implementation support mission from Sept 12-20th 2011.

Accordingly in the Kottakaraiyar sub basin of Phase the following works have been proposed.

- i) Lining of irrigation Head channel below the tanks sluice using c.c. M 15 as per sketch enclosed
- ii) Installing flow measuring device in the irrigation channel as per sketch
- iii) L.S provision of 2.8 % for Provision of labour welfare @ 0.30 % and provision for contingencies, advertisement charges , photographic charges @ 2.5%

This proposal comprising of 89 packages for an amount of Rs.930.02lakhs including L.S Provision of Rs.25.35lakhs. lining of head irrigation channel for 18044 m length and installing 437 nos of flow measuring devices in the irrigation channels are proposed in this proposal.

The package details are appended separately and works are proposed to be taken up under national shopping procedure

The total cost for the DPR works out to **Rs.930.02 lakhs**

**Assistant Engineer, PWD/WRO
Irrigation Section, Madagupatti**

**Assistant Executive Engineer, PWD/WRO
Saruganiyar Basin Sub Division, Sivaganga**

**Executive Engineer, PWD/WRO
Saruganiyar Basin Division**

**Superintending Engineer, PWD/WRO
Lower Vaigai Basin Circle,**

**Chief Engineer, PWD/WRO
Madurai Region**

FORMAT I

Name of Region : Madurai
 Name of Circle : Lower Vaigai Basin
 Name of Division : Circle,Sivagangai
 Name of Sub Basin : Saruganiyar Basin Division, Sivaganga.
 Name of Sub Basin : Kottakaraiyar
 Total Number of Tanks taken up under IAMWARM : 310

NO OF TANKS, SLUICES IN EACH PACKAGE

Rs in
Lakhs

Sl. No	Package No	Name of Tank	No of Sluices	Flow Measuring Device		Lining of Head Irrigation channels			Total Amount	L.S. Provision @2.80%	Grand Total	Remarks
				No	Amount	Type of soil BC / OS*	Length in Metre	Amount				
1	Package 1	Keeranur Tank	2	2	0.26	BC	100	4.60	4.86			
		Kanjipatti Tank	3	3	0.39	BC	150	6.90	7.29			
		Total	5	5	0.65		250	11.50	12.15	0.34	12.49	
2	Package 2	Mudikarai Tank	3	3	0.39	BC	120	5.52	5.91			
		Kannankundu Tank	1	1	0.13	BC	45	2.07	2.20			
		Siramam Tank	2	2	0.26	BC	80	3.68	3.94			
		Total	6	6	0.78		245	11.27	12.05	0.34	12.39	
3	Package 3	Maravamangalam Tank	3	3	0.39	BC	140	6.44	6.83			
		Palkulam Tank	2	2	0.26	BC	80	3.68	3.94			
		Total	5	5	0.65		220	10.12	10.77	0.30	11.07	

4	Package 4	Paluvoikodai Tank	2	2	0.26	BC	120	5.52	5.78			
		Soorakudi Tank	2	2	0.26	BC	130	5.98	6.24			
		Total	4	4	0.52		250	11.50	12.02	0.34	12.36	
5	Package 5	Naddanur Tank	3	3	0.39	BC	150	6.90	7.29			
		Mavilangai Tank	2	2	0.26	BC	100	4.60	4.86			
		Total	5	5	0.65		250	11.50	12.15	0.34	12.49	
6	Package 6	Pillukottai Tank	2	2	0.26	BC	120	5.52	5.78			
		Sethambal Tank	2	2	0.26	BC	130	5.98	6.24			
		Total	4	4	0.52		250	11.50	12.02	0.34	12.36	
7	Package 7	Paganjan Tank	3	3	0.39	BC	190	8.74	9.13			
		Total	3	3	0.39		190	8.74	9.13	0.26	9.39	
8	Package 8	Velarendal Tank	6	6	0.78	BC	240	11.04	11.82			
		Total	6	6	0.78		240	11.04	11.82	0.33	12.15	
9	Package 9	Ilanthakarai Tank	2	2	0.26	BC	80	3.68	3.94			
		Vilankattur Tank	2	2	0.26	BC	85	3.91	4.17			
		Kirampuli Tank	2	2	0.26	BC	80	3.68	3.94			
		Total	6	6	0.78		245	11.27	12.05	0.34	12.39	
10	Package 10	Paluvur Tank	2	2	0.26	BC	70	3.22	3.48			
		Anjavayal Tank	3	3	0.39	BC	100	4.60	4.99			
		Vilankulam Tank	2	2	0.26	BC	70	3.22	3.48			
		Total	7	7	0.91		240	11.04	11.95	0.33	12.28	
11	Package 11	Nedungulam Tank	1	1	0.13	BC	50	2.30	2.43			
		Korakulam Tank	1	1	0.13	BC	50	2.30	2.43			
		Nadamangalam Tank	4	4	0.52	BC	140	6.44	6.96			
		Total	6	6	0.78		240	11.04	11.82	0.33	12.15	

12	Package 12	Velangulam Tank	2	2	0.26	BC	60	2.76	3.02			
		Thadan Tank	1	1	0.13	BC	30	1.38	1.51			
		Vallakulam Tank	2	2	0.26	BC	60	2.76	3.02			
		Maruthankudi Tank	1	1	0.13	BC	30	1.38	1.51			
		Solaseri Tank	1	1	0.13	BC	30	1.38	1.51			
		Panendal Tank	1	1	0.13	BC	30	1.38	1.51			
		Total	8	8	1.04		240	11.04	12.08	0.34	12.42	
13	Package 13	Mallal Tank	3	3	0.39	BC	90	4.14	4.53			
		Sembanur Tank	2	2	0.26	BC	60	2.76	3.02			
		Sunnambukudi Tank	1	1	0.13	BC	30	1.38	1.51			
		Valladi Tank	2	2	0.26	BC	60	2.76	3.02			
		Total	8	8	1.04		240	11.04	12.08	0.34	12.42	
14	Package 14	Kadambankudi Tank	1	1	0.13	BC	40	1.84	1.97			
		Pudukulam Tank	1	1	0.13	BC	40	1.84	1.97			
		Velangudi Tank	1	1	0.13	BC	40	1.84	1.97			
		Chithalangudi Tank	4	4	0.52	BC	120	5.52	6.04			
		Total	7	7	0.91		240	11.04	11.95	0.33	12.28	
15	Package 15	Kalaikulam Tank	7	7	0.91	BC	240	11.04	11.95			
		Total	7	7	0.91		240	11.04	11.95	0.33	12.28	
16	Package 16	S . Manakudi peria kanmoi	1	1	0.13	BC	30	1.38	1.51			
		Kalugadi Tank	2	2	0.26	BC	60	2.76	3.02			
		Parakulam Tank	2	2	0.26	BC	60	2.76	3.02			
		Puliyadi Tank	1	1	0.13	BC	30	1.38	1.51			
		Pukkuli Tank	2	2	0.26	BC	60	2.76	3.02			
		Total	8	8	1.04		240	11.04	12.08	0.34	12.42	

17	Package 17	Melthuraiyur Tank	1	1	0.13	BC	30	1.38	1.51			
		Kelthuraiyur Tank	2	2	0.26	BC	70	3.22	3.48			
		Karaikulam Tank	3	3	0.39	BC	120	5.52	5.91			
		Total	6	6	0.78		220	10.12	10.90	0.31	11.21	
18	Package 18	Vishvanur Tank	2	2	0.26	BC	150	6.90	7.16			
		Sanerendal Tank	1	1	0.13	BC	90	4.14	4.27			
		Total	3	3	0.39		240	11.04	11.43	0.32	11.75	
19	Package 19	Vaniankudi Tank	1	1	0.13	BC	100	4.60	4.73			
		Kollankudi Tank	3	3	0.39	BC	150	6.90	7.29			
		Total	4	4	0.52		250	11.50	12.02	0.34	12.36	
20	Package 20	Marakathur Tank	3	3	0.39	BC	120	5.52	5.91			
		Maniankudi Tank	2	2	0.26	BC	80	3.68	3.94			
		Marathur Tank	1	1	0.13	BC	45	2.07	2.20			
		Total	6	6	0.78		245	11.27	12.05	0.34	12.39	
21	Package 21	Kanjiram Tank	2	2	0.26	BC	200	9.20	9.46			
		Total	2	2	0.26		200	9.20	9.46	0.26	9.72	
22	Package 22	Keelamelamarungur Tank	1	1	0.13	BC	50	2.30	2.43			
		Ettikudi Mudinthanai Tank	2	2	0.26	BC	100	4.60	4.86			
		Parakulam Tank	2	2	0.26	BC	100	4.60	4.86			
		Total	5	5	0.65		250	11.50	12.15	0.34	12.49	
23	Package 23	Vannikudi Tank	2	2	0.26	BC	80	3.68	3.94			
		Neduvathavu Tank	2	2	0.26	BC	80	3.68	3.94			
		Nallendal Tank	1	1	0.13	BC	40	1.84	1.97			
		Thavasikudi Tank	1	1	0.13	BC	45	2.07	2.20			
		Total	6	6	0.78		245	11.27	12.05	0.34	12.39	

24	Package 24	Kundakodai Tank	2	2	0.26	BC	100	4.60	4.86			
		Usilankulam Tank	2	2	0.26	BC	150	6.90	7.16			
		Total	4	4	0.52		250	11.50	12.02	0.34	12.36	
25	Package 25	Pokkani Tank	2	2	0.26	BC	200	9.20	9.46			
		Total	2	2	0.26		200	9.20	9.46	0.26	9.72	
26	Package 26	Pappakudi Tank	3	3	0.39	BC	230	10.58	10.97			
		Total	3	3	0.39		230	10.58	10.97	0.31	11.28	
27	Package 27	Sathaseri Tank	2	2	0.26	BC	150	6.90	7.16			
		Koothani Tank	2	2	0.26	BC	100	4.60	4.86			
		Total	4	4	0.52		250	11.50	12.02	0.34	12.36	
28	Package 28	Achapuli Tank	1	1	0.13	BC	35	1.61	1.74			
		Sakkanthi Tank	3	3	0.39	BC	100	4.60	4.99			
		Sakkavayal Tank	1	1	0.13	BC	35	1.61	1.74			
		Ettiseri Tank	2	2	0.26	BC	70	3.22	3.48			
		Total	7	7	0.91		240	11.04	11.95	0.33	12.28	
29	Package 29	Arasani Tank	2	2	0.26	BC	90	4.14	4.40			
		Melavaniankudi Tank	1	1	0.13	BC	45	2.07	2.20			
		Ponakulam Tank	3	3	0.39	BC	105	4.83	5.22			
		Total	6	6	0.78		240	11.04	11.82	0.33	12.15	
30	Package 30	Manakudi Tank	1	1	0.13	BC	40	1.84	1.97			
		Paniyur Tank	1	1	0.13	BC	50	2.30	2.43			
		Pillathi Tank	3	3	0.39	BC	150	6.90	7.29			
		Total	5	5	0.65		240	11.04	11.69	0.33	12.02	
31	Package 31	Therkuvadi Tank	2	2	0.26	BC	120	5.52	5.78			
		Madakottai Tank	2	2	0.26	BC	130	5.98	6.24			
		Total	4	4	0.52		250	11.50	12.02	0.34	12.36	

32	Package 32	Allur Tank	2	2	0.26	BC	60	2.76	3.02			
		Kathatti Tank	2	2	0.26	BC	60	2.76	3.02			
		Keelpathi Tank	1	1	0.13	BC	30	1.38	1.51			
		Pirandaikulam Tank	3	3	0.39	BC	90	4.14	4.53			
		Total	8	8	1.04		240	11.04	12.08	0.34	12.42	
33	Package 33	Panangadi Tank	3	3	0.39	BC	150	6.90	7.29			
		Vijayamanickam Tank	2	2	0.26	BC	80	3.68	3.94			
		Total	5	5	0.65		230	10.58	11.23	0.31	11.54	
34	Package 34	Senkulam Tank	3	3	0.39	BC	110	5.06	5.45			
		Vembankudi Tank	1	1	0.13	BC	40	1.84	1.97			
		Vallaneri Tank	2	2	0.26	BC	80	3.68	3.94			
		Total	6	6	0.78		230	10.58	11.36	0.32	11.68	
35	Package 35	Keelapidavur Tank	3	3	0.39	BC	150	6.90	7.29			
		Uthamanur Tank	2	2	0.26	BC	100	4.60	4.86			
		Total	5	5	0.65		200	11.50	12.15	0.34	12.49	
36	Package 36	Panaikulam Tank	1	1	0.13	BC	50	2.30	2.43			
		Peachathi Tank	1	1	0.13	BC	100	4.60	4.73			
		Pudukulam Tank	1	1	0.13	BC	100	4.60	4.73			
		Total	3	3	0.39		120	11.50	11.89	0.33	12.22	
37	Package 37	Sarbukulam Tank	1	1	0.13	BC	100	4.60	4.73			
		Etticheri Tank	3	3	0.39	BC	150	6.90	7.29			
		Total	4	4	0.52		160	11.50	12.02	0.34	12.36	
38	Paclage 38	Piranthamangalam Tank	2	2	0.26	BC	120	5.52	5.78			
		Thayamangalam Tank	2	2	0.26	BC	130	5.98	6.24			
		Total	4	4	0.52		250	11.50	12.02	0.34	12.36	

39	Package 39	Mudaveli Tank	3	3	0.39	BC	170	7.82	8.21			
		Maricheri Tank	1	1	0.13	BC	80	3.68	3.81			
		Total	4	4	0.52		160	11.50	12.02	0.34	12.36	
40	Package 40	Kandani Tank	1	1	0.13	BC	60	2.76	2.89			
		Soochinankudi Tank	2	2	0.26	BC	90	4.14	4.40			
		Thokkanendal Tank	3	3	0.39	BC	90	4.14	4.53			
		Total	6	6	0.78		240	11.04	11.82	0.33	12.15	
41	Package 41	Ochanthattu	4	4	0.52	BC	170	7.82	8.34			
		V.pudukulam	1	1	0.13	BC	60	2.76	2.89			
		Total	5	5	0.65		200	10.58	11.23	0.31	11.54	
42	Package 42	Thugavur Tank	2	2	0.26	BC	100	4.60	4.86			
		Virayathakandan Tank	3	3	0.39	BC	150	6.90	7.29			
		Total	5	5	0.65		250	11.50	12.15	0.34	12.49	
43	Package 43	Seigalathur Big Tank	4	4	0.52	BC	150	6.90	7.42			
		Seigalathur Small Tank	3	3	0.39	BC	90	4.14	4.53			
		Total	7	7	0.91		240	11.04	11.95	0.33	12.28	
44	Package 44	Vanchikulam Tank	4	4	0.52	BC	150	6.90	7.42			
		Kalkurichi Tank	2	2	0.26	BC	90	4.14	4.40			
		Total	6	6	0.78		240	11.04	11.82	0.33	12.15	
45	Package 45	Valachiyendhal Tank	3	3	0.39	BC	125	5.75	6.14			
		Vadukuchandanur Tank	3	3	0.39	BC	120	5.52	5.91			
		Total	6	6	0.78		245	11.27	12.05	0.34	12.39	
46	Package 46	N.Pukkuli Tank	2	2	0.26	BC	100	4.60	4.86			
		S.Karaikudi Tank	3	3	0.39	BC	150	6.90	7.29			
		Total	5	5	0.65		250	11.50	12.15	0.34	12.49	

47	Package 47	Puthanandal Tank	3	3	0.39	BC	125	5.75	6.14		
		Ariyanur Tank	3	3	0.39	BC	120	5.52	5.91		
		Total	6	6	0.78		245	11.27	12.05	0.34	12.39
48	Package 48	Maruthanganalur Big tank	5	5	0.65	BC	200	9.20	9.85		
		Total	5	5	0.65		200	9.20	9.85	0.28	10.13
49	Package 49	Pidaranendal Tank	4	4	0.52	BC	190	8.74	9.26		
		Total	4	4	0.52		190	8.74	9.26	0.26	9.52
50	Package 50	Manakkudi Tank	5	5	0.65	BC	225	10.35	11.00		
		Total	5	5	0.65		225	10.35	11.00	0.31	11.31
51	Package 51	kakkudi Tank	4	4	0.52	BC	140	6.44	6.96		
		Total	4	4	0.52		140	6.44	6.96	0.19	7.15
52	Package 52	Brahmanakuruchi Tank	2	2	0.26	BC	100	4.60	4.86		
		Total	2	2	0.26		100	4.60	4.86	0.14	5.00
53	Package 53	Munaiventri Tank	3	3	0.39	BC	150	6.90	7.29		
		Total	3	3	0.39		150	6.90	7.29	0.20	7.49
54	Package 54	Katchathanallur Tank	4	4	0.52	BC	200	9.20	9.72		
		Total	4	4	0.52		200	9.20	9.72	0.27	9.99
55	Package 55	Nettur Tank	6	6	0.78	BC	210	9.66	10.44		
		Total	6	6	0.78		210	9.66	10.44	0.29	10.73
56	Package 56	T.Pudukkottai Tank	3	3	0.39	BC	150	6.90	7.29		
		Total	3	3	0.39		150	6.90	7.29	0.20	7.49

57	Package 57	i) Salaigramam Tank	3	3	0.39	BC	150	6.90	7.29			
		ii) Sathanoor Tank	2	2	0.26	BC	60	2.76	3.02			
		Total	5	5	0.65		210	9.66	10.31	0.29	10.60	
58	Package 58	i) Ariyandipuram Tank	3	3	0.39	BC	150	6.90	7.29			
		ii) Ilayankudi Tank	1	1	0.13	BC	50	2.30	2.43			
		Total	4	4	0.52		200	9.20	9.72	0.27	9.99	
59	Package 59	i) Vannathan Tank	3	3	0.39	BC	120	5.52	5.91			
		ii) Thennavarayan Tank	2	2	0.26	BC	70	3.22	3.48			
		Total	5	5	0.65		190	8.74	9.39	0.26	9.65	
60	Package 60	i) Valayarendal Tank	1	1	0.13	BC	40	1.84	1.97			
		ii) Pokkanendal Tank	1	1	0.13	BC	50	2.30	2.43			
		iii) Palla Tank	1	1	0.13	BC	50	2.30	2.43			
		iv) Perumbalai Tank	2	2	0.26	BC	70	3.22	3.48			
		Total	5	5	0.65		210	9.66	10.31	0.29	10.60	
61	Package 61	i) Peethambaranendal Tank	3	3	0.39	BC	120	5.52	5.91			
		ii) Chithanendal Tank	2	2	0.26	BC	80	3.68	3.94			
		Total	5	5	0.65		200	9.20	9.85	0.28	10.13	
62	Package 62	i) Panchanoor Tank	6	6	0.78	BC	180	8.28	9.06			
		ii) Seevalathi Tank	1	1	0.13	BC	30	1.38	1.51			
		Total	7	7	0.91		210	9.66	10.57	0.30	10.87	

63	Package 63	Porandiendal Tank	1	1	0.13	BC	35	1.61	1.74			
		Marchikattiendal Tank	1	1	0.13	BC	30	1.38	1.51			
		Alangulam Tank	2	2	0.26	BC	60	2.76	3.02			
		Mylooraniendal Tank	1	1	0.13	BC	35	1.61	1.74			
		Total	5	5	0.65		160	7.36	8.01	0.22	8.23	
64	Package 64	Palangulam Tank	1	1	0.13	BC	30	1.38	1.51			
		Mavilangai Tank	1	1	0.13	BC	30	1.38	1.51			
		Ladanendal Tank	1	1	0.13	BC	30	1.38	1.51			
		Mathipanendal Tank	1	1	0.13	BC	34	1.56	1.69			
		Total	4	4	0.52		124	5.70	6.22	0.17	6.39	
65	Package 65	Chittanendal Tank	2	2	0.26	BC	65	2.99	3.25			
		Avarendal Tank	1	1	0.13	BC	35	1.61	1.74			
		Kalangpuli Tank	1	1	0.13	BC	30	1.38	1.51			
		Panthappaendal Tank	1	1	0.13	BC	35	1.61	1.74			
		Total	5	5	0.65		165	7.59	8.24	0.23	8.47	
66	Package 66	Melavayal Tank	1	1	0.13	BC	30	1.38	1.51			
		Seeniendal Tank	2	2	0.26	BC	60	2.76	3.02			
		Naganendal Small Tank	1	1	0.13	BC	35	1.61	1.74			
		Total	4	4	0.52		125	5.75	6.27	0.18	6.45	

67	Package 67	Aladiendal Tank	2	2	0.26	BC	65	2.99	3.25			
		Ganapathiendal Tank	1	1	0.13	BC	30	1.38	1.51			
		Thatchanendal Tank	1	1	0.13	BC	30	1.38	1.51			
		Ayyanarendal Tank	1	1	0.13	BC	35	1.61	1.74			
		Total	5	5	0.65		160	7.36	8.01	0.22	8.23	
68	Package 68	Chitturvadiendal Tank	1	1	0.13	BC	35	1.61	1.74			
		Vallakulam Tank	1	1	0.13	BC	30	1.38	1.51			
		Keelachendanenda Tank	2	2	0.26	BC	65	2.99	3.25			
		Kadalurendal Tank	1	1	0.13	BC	35	1.61	1.74			
		Total	5	5	0.65		165	7.59	8.24	0.23	8.47	
69	Package 69	Kalooraniendal Tank	1	1	0.13	BC	35	1.61	1.74			
		Oruvanendal Tank	1	1	0.13	BC	35	1.61	1.74			
		Total	2	2	0.26		70	3.22	3.48	0.10	3.58	
70	Package 70	Ayangudi Tank	3	3	0.39	BC	90	4.14	4.53			
		Total	3	3	0.39		90	4.14	4.53	0.13	4.66	
71	Package 71	Melakaikudi Tank	3	3	0.39	BC	90	4.14	4.53			
		Melpanaiyur Small Tank	2	2	0.26	BC	65	2.99	3.25			
		Total	5	5	0.65		155	7.13	7.78	0.22	8.00	

72	Package 72	Bagavathymangalam Tank	3	3	0.39	BC	105	4.83	5.22			
		Total	3	3	0.39	BC	105	4.83	5.22	0.15	5.37	
73	Package 73	Vagaikudi Tank	3	3	0.39	BC	90	4.14	4.53			
		Total	3	3	0.39		90	4.14	4.53	0.13	4.66	
74	Package 74	Kumiliendal Tank	3	3	0.39	BC	90	4.14	4.53			
		Mettukarkalathur Tank	1	1	0.13	BC	30	1.38	1.51			
		Total	4	4	0.52		120	5.52	6.04	0.17	6.21	
75	Package 75	Gudaloor Tank	5	5	0.65	BC	150	6.90	7.55			
		Total	5	5	0.65		150	6.90	7.55	0.21	7.76	
76	Package 76	Sammanthavayal Tank	2	2	0.26	BC	65	2.99	3.25			
		Koloorani Tank	2	2	0.26	BC	60	2.76	3.02			
		Total	4	4	0.52		125	5.75	6.27	0.18	6.45	
77	Package 77	Kavanakottai Tank	2	2	0.26	BC	65	2.99	3.25			
		Varavani Tank	2	2	0.26	BC	60	2.76	3.02			
		Total	4	4	0.52		125	5.75	6.27	0.18	6.45	
78	Package 78	Thuvar Tank	2	2	0.26	BC	65	2.99	3.25			
		Kaikulam Tank	2	2	0.26	BC	65	2.99	3.25			
		Nettendal Tank	1	1	0.13	BC	35	1.61	1.74			
		Total	5	5	0.65		165	7.59	8.24	0.23	8.47	

79	Package 79	Kattanur Tank	2	2	0.26	BC	60	2.76	3.02			
		Muthankottai Tank	2	2	0.26	BC	60	2.76	3.02			
		Total	4	4	0.52		120	5.52	6.04	0.17	6.21	
80	Package 80	Parani Tank	2	2	0.26	BC	65	2.99	3.25			
		Parappan Tank	2	2	0.26	BC	60	2.76	3.02			
		Total	4	4	0.52		125	5.75	6.27	0.18	6.45	
81	Package 81	N.Puliyangulam Tank	6	6	0.78	BC	240	11.04	11.82			
		Total	6	6	0.78		240	11.04	11.82	0.33	12.15	
82	Package 82	Pottavayal Tank	4	4	0.52	BC	160	7.36	7.88			
		Kalyani Tank	2	2	0.26	BC	80	3.68	3.94			
		Total	6	6	0.78		240	11.04	11.82	0.33	12.15	
83	Package 83	Thadiyamanagalam Tank	6	6	0.78	BC	240	11.04	11.82			
		Total	6	6	0.78		240	11.04	11.82	0.33	12.15	
84	Package 84	Devathakudi Tank	1	1	0.13	BC	60	2.66	2.79			
		Sathamangalam Tank	3	3	0.39	BC	150	6.90	7.29			
		Total	4	4	0.52		210	9.56	10.08	0.28	10.36	
85	Package 85	Sathani Tank	4	4	0.52	BC	200	9.20	9.72			
		Total	4	4	0.52		200	9.20	9.72	0.27	9.99	
86	Package 86	Vallakulam Tank	6	6	0.78	BC	240	11.04	11.82			
		Total	6	6	0.78		240	11.04	11.82	0.33	12.15	
87	Package 87	Ayyanarkulam Tank	4	4	0.52	BC	200	9.20	9.72			
		Total	4	4	0.52		200	9.20	9.72	0.27	9.99	

88	Package 88	Vadakukeeranur Tank	7	7	0.91	BC	240	11.04	11.95			
			7	7	0.91		240	11.04	11.95	0.33	12.28	
89	Package 89	Therkukeeranur Tank	6	6	0.78	BC	240	11.04	11.82			
			6	6	0.78		240	11.04	11.82	0.33	12.15	
Total			437	437	56.81		18044	847.86	904.67	25.35	930.02	

Certified that the Tanks included in the originally approved DPR of KOTTAKKARAIYAR Sub Basin alone are considered now.

Certified that the above works have not been taken up in any other Project.

Certified that the Lining of Head Irrigation channel drawing type I is adopted in 0 number of tanks having soil other than black cotton soil.

Certified that the the Lining of Head Irrigation channel drawing type II is adopted in 195 number of tanks having black cotton soil

* BC- Black Cotton soil

OS - Other Soil

Assistant Engineer, PWD/WRO
Irrigation Section, Madagupatti

Assistant Executive Engineer, PWD/WRO
Saruganiyar Basin Sub Division, Sivaganga

Executive Engineer, PWD/WRO
Saruganiyar Basin Division, Sivaganga

Superintending Engineer, PWD/WRO
Lower Vaigai Basin Circle,
Sivaganga

Chief Engineer,
PWD/WRO
Madurai Region, Madurai

FORMAT II

Name of Region : Madurai
 Name of Circle : Lower Vaigai Basin Circle,Sivagangai
 Saruganiyar Basin Division,
 Name of Division : Sivaganga.
 Name of Sub Basin : Kottakaraiyar
 Total Number of Tanks taken up under IAMWARM : 310
 Method of procurement : National Shopping

PACKAGEWISE ABSTRACT

Sl. No	Package Name	Name of work	No of Tanks	No. of Measuring Devices	Lining of Head Irrigation Chennal Length in M	Total Amount including LS in Lakhs	Remarks
1	AP_1/ IAMWARM/ WRD/ KOYR / WORKS/ I / 2011-2012	Lining of Head Irrigation Channel and providing Flow Measuring devices for Keeranur and Kanjipatty Tank in Kottakaraiyar Sub basin in Sivagangai Taluk in Sivagangai District	2	5	250	12.49	

2	AP_2/ IAMWARM/ WRD/ KOYR / WORKS/ I / 2011-2012	Lining of Head Irrigation Channel and providing Flow Measuring devices for Mudikarai and Kannankundu Siramam, Tank in Kottakaraiyar Sub basin in Sivagangai Taluk in Sivagangai District	3	6	245	12.39	
3	AP_3/ IAMWARM/ WRD/ KOYR / WORKS/ I / 2011-2012	Lining of Head Irrigation Channel and providing Flow Measuring devices for Maravamangalam and Palkulam tanks, Tank in Kottakaraiyar Sub basin in Sivagangai and Illayankudi Taluk in Sivagangai District	2	5	220	11.07	
4	AP_4/ IAMWARM/ WRD/ KOYR / WORKS/ I / 2011-2012	Lining of Head Irrigation Channel and providing Flow Measuring devices for Paluvakodai and seerakudi Tanks in Kottakaraiyar Sub basin in Sivagangai Taluk in Sivagangai District	2	4	250	12.36	
5	AP_5/ IAMWARM/ WRD/ KOYR / WORKS/ I / 2011-2012	Lining of Head Irrigation Channel and providing Flow Measuring devices for Vandapur and Mavilangai Tanks in Kottakaraiyar Sub basin in Sivaganga Taluk in Sivagangai District	2	5	250	12.49	
6	AP_6/ IAMWARM/ WRD/ KOYR / WORKS/ I / 2011-2012	Lining of Head Irrigation Channel and providing Flow Measuring devices for Pillukottai and Sethmbal Tank in Kottakaraiyar Sub basin in Sivagangai Taluk in Sivagangai District	2	4	250	12.36	
7	AP_7/ IAMWARM/ WRD/ KOYR / WORKS/ I / 2011-2012	Lining of Head Irrigation Channel and providing Flow Measuring devices for Paganjan Tank in Kottakaraiyar Sub basin in Sivagangai Taluk in Sivagangai District	1	3	190	9.39	

8	AP_8/ IAMWARM/ WRD/ KOYR / WORKS/ I / 2011-2012	Lining of Head Irrigation Channel and providing Flow Measuring devices for Velarendal Tank in Kottakaraiyar Sub basin in Sivagangai Taluk in Sivagangai District	1	6	240	12.15	
9	AP_9/ IAMWARM/ WRD/ KOYR / WORKS/ I / 2011-2012	Lining of Head Irrigation Channel and providing Flow Measuring devices for Ilanthakkari, Vilankattur and Kirampuli Tanks in Kottakaraiyar Sub basin Sivagangai Taluk in Sivagangai District	3	6	245	12.39	
10	AP_10/ IAMWARM/ WRD/ KOYR / WORKS/ I / 2011-2012	Lining of Head Irrigation Channel and providing Flow Measuring devices for Paluvloor, Anjavayal and Vilankulam Tanks in Kottakaraiyar Sub basin in Sivagangai and Illayankudi Taluk in Sivagangai District	3	7	240	12.28	
11	AP_11/ IAMWARM/ WRD/ KOYR / WORKS/ I / 2011-2012	Lining of Head Irrigation Channel and providing Flow Measuring devices for Nedungulam, korakulam and Nadamangalam Tank in Kottakaraiyar Sub basin in Sivagangai and Illayankudi Taluk in Sivagangai District	3	6	240	12.15	
12	AP_12/ IAMWARM/ WRD/ KOYR / WORKS/ I / 2011-2012	Lining of Head Irrigation Channel and providing Flow Measuring devices for Velangulam, Thadan, Vallakulam, Maruthangudi, Solaseri and Panendal Tank in Kottakaraiyar Sub basin in Sivagangai and Illayankudi Taluk in Sivagangai District	6	8	240	12.42	

13	AP_13/ IAMWARM/ WRD/ KOYR / WORKS/ I / 2011-2012	Lining of Head Irrigation Channel and providing Flow Measuring devices for Mallal, sembanur, Sunnambukkudi and Valladi Tank in Kottakaraiyar Sub basin in Sivagangai and Illayankudi Taluk in Sivagangai District	4	8	240	12.42	
14	AP_14/ IAMWARM/ WRD/ KOYR / WORKS/ I / 2011-2012	Lining of Head Irrigation Channel and providing Flow Measuring devices for Kadambankudi, Pudukulam, Velangudi and Chithalangudi Tank in Kottakaraiyar Sub basin in Sivagangai and Illayankudi Taluk in Sivagangai District	4	7	240	12.28	
15	AP_15/ IAMWARM/ WRD/ KOYR / WORKS/ I / 2011-2012	Lining of Head Irrigation Channel and providing Flow Measuring devices for Kalaikulam Tank in Kottakaraiyar Sub basin in Illayankudi Taluk in Sivagangai District	1	7	240	12.28	
16	AP_16/ IAMWARM/ WRD/ KOYR / WORKS/ I / 2011-2012	Lining of Head Irrigation Channel and providing Flow Measuring devices for S.Managudi peria kanmoi, Kalugadi, Parakulam, Puliyadi and Pukkuli Tank in Kottakaraiyar Sub basin in Sivagangai and Illayankudi Taluk in Sivagangai District	5	8	240	12.42	
17	AP_17/ IAMWARM/ WRD/ KOYR / WORKS/ I / 2011-2012	Lining of Head Irrigation Channel and providing Flow Measuring devices for Melthuraiyur, Kelthuraiyur and Karaikulam Tank in Kottakaraiyar Sub basin in Illayankudi Taluk in Sivagangai District	3	6	220	11.21	

18	AP_18/ IAMWARM/ WRD/ KOYR / WORKS/ I / 2011-2012	Lining of Head Irrigation Channel and providing Flow Measuring devices for Viswanoor and Sanarendal Tank in Kottakaraiyar Sub basin in Sivagangai and Illayankudi Taluk in Sivagangai District	2	3	240	11.75	
19	AP_19/ IAMWARM/ WRD/ KOYR / WORKS/ I / 2011-2012	Lining of Head Irrigation Channel and providing Flow Measuring devices for Vaniankudi and Kollankudi Tank in Kottakaraiyar Sub basin in Sivagangai and Illayankudi Taluk in Sivagangai District	2	4	250	12.36	
20	AP_20/ IAMWARM/ WRD/ KOYR / WORKS/ I / 2011-2012	Lining of Head Irrigation Channel and providing Flow Measuring devices for Marakathur, Maniankudi and Marathur Tank in Kottakaraiyar Sub basin in Sivagangai Taluk in Sivagangai District	3	6	245	12.39	
21	AP_21/ IAMWARM/ WRD/ KOYR / WORKS/ I / 2011-2012	Lining of Head Irrigation Channel and providing Flow Measuring devices for Kanjiram Tank in Kottakaraiyar Sub basin in Sivagangai Taluk in Sivagangai District	1	2	200	9.72	
22	AP_22/ IAMWARM/ WRD/ KOYR / WORKS/ I / 2011-2012	Lining of Head Irrigation Channel and providing Flow Measuring devices for Keelamelamarungur, Ettikudi, Mudithanai , and Parakkulam Tank in Kottakaraiyar Sub basin in Sivagangai Taluk in Sivagangai District	3	5	250	12.49	
23	AP_23/ IAMWARM/ WRD/ KOYR / WORKS/ I / 2011-2012	Lining of Head Irrigation Channel and providing Flow Measuring devices for Vannikudi, Neduvathavu Nallendal and Thavasikudi Tank in Kottakaraiyar Sub basin in Sivagangai Taluk in Sivagangai District	4	6	245	12.39	

24	AP_24/ IAMWARM/ WRD/ KOYR / WORKS/ I / 2011-2012	Lining of Head Irrigation Channel and providing Flow Measuring devices for Kundakodai and Usilamkulam Tank in Kottakaraiyar Sub basin in Sivagangai Taluk in Sivagangai District	2	4	250	12.36	
25	AP_25/ IAMWARM/ WRD/ KOYR / WORKS/ I / 2011-2012	Lining of Head Irrigation Channel and providing Flow Measuring devices for Pokknai Tank in Kottakaraiyar Sub basin in Sivagangai Taluk in Sivagangai District	1	2	200	9.72	
26	AP_26/ IAMWARM/ WRD/ KOYR / WORKS/ I / 2011-2012	Lining of Head Irrigation Channel and providing Flow Measuring devices for Pappakudi Tank in Kottakaraiyar Sub basin in Sivagangai Taluk in Sivagangai District	1	3	230	11.28	
27	AP_27/ IAMWARM/ WRD/ KOYR / WORKS/ I / 2011-2012	Lining of Head Irrigation Channel and providing Flow Measuring devices for Sathaseri Tank and Koothani Tank in Kottakaraiyar Sub basin in Sivagangai Taluk in Sivagangai District	2	4	250	12.36	
28	AP_28/ IAMWARM/ WRD/ KOYR / WORKS/ I / 2011-2012	Lining of Head Irrigation Channel and providing Flow Measuring devices for Achapuli, Sakkanthi, Sakkavayal and Ettiseri Tank in Kottakaraiyar Sub basin in Sivagangai and Illayankudi Taluk in Sivagangai District	4	7	240	12.28	
29	AP_29/ IAMWARM/ WRD/ KOYR / WORKS/ I / 2011-2012	Lining of Head Irrigation Channel and providing Flow Measuring devices for Arasani, Melavaniankudi and Ponnakulam Tanks in Kottakaraiyar Sub basin in Sivagangai Taluk in Sivagangai District	3	6	240	12.15	

30	AP_30/ IAMWARM/ WRD/ KOYR / WORKS/ I / 2011-2012	Lining of Head Irrigation Channel and providing Flow Measuring devices for Manakudi, Paraiyur, and Pillathi Tanks in Kottakaraiyar Sub basin in Sivagangai Taluk in Sivagangai District	3	5	240	12.02	
31	AP_31/ IAMWARM/ WRD/ KOYR / WORKS/ I / 2011-2012	Lining of Head Irrigation Channel and providing Flow Measuring devices for Therkuvadi, Madakottai Tanks in Kottakaraiyar Sub basin in Sivagangai Taluk in Sivagangai District	2	4	250	12.36	
32	AP_32/ IAMWARM/ WRD/ KOYR / WORKS/ I / 2011-2012	Lining of Head Irrigation Channel and providing Flow Measuring devices for Allur, Kathatti, Keelpathi and Pirandaikulak Tanks in Kottakaraiyar Sub basin in Sivagangai Taluk in Sivagangai District	4	8	240	12.42	
33	AP_33/ IAMWARM/ WRD/ KOYR / WORKS/ I / 2011-2012	Lining of Head Irrigation Channel and providing Flow Measuring devices for Panangadi and Vijayamanickam Tank in Kottakaraiyar Sub basin in Sivagangai Taluk in Sivagangai District	2	5	230	11.54	
34	AP_34/ IAMWARM/ WRD/ KOYR / WORKS/ I / 2011-2012	Lining of Head Irrigation Channel and providing Flow Measuring devices for Senkulam, Vembankudi and Vallaneri Tank in Kottakaraiyar Sub basin in Sivagangai Taluk in Sivagangai District	3	6	230	11.68	
35	AP_35/ IAMWARM/ WRD/ KOYR / WORKS/ I / 2011-2012	Lining of Head Irrigation Channel and providing Flow Measuring devices for Keelapidavur and Uthamanur Tank in Kottakaraiyar Sub basin in Illayankudi Taluk in Sivagangai District	2	5	200	12.49	

36	AP_36/ IAMWARM/ WRD/ KOYR / WORKS/ I / 2011-2012	Lining of Head Irrigation Channel and providing Flow Measuring devices for Panaikulam, Peachathi and Pudukulam Tank in Kottakaraiyar Sub basin in Illayankudi Taluk in Sivagangai District	3	3	120	12.22	
37	AP_37/ IAMWARM/ WRD/ KOYR / WORKS/ I / 2011-2012	Lining of Head Irrigation Channel and providing Flow Measuring devices for Sarbukulam and Etticheri Tank in Kottakaraiyar Sub basin in Illayankudi Taluk in Sivagangai District	2	4	160	12.36	
38	AP_38/ IAMWARM/ WRD/ KOYR / WORKS/ I / 2011-2012	Lining of Head Irrigation Channel and providing Flow Measuring devices for Piranthamangalam and Thayamangalam Tank in Kottakaraiyar Sub basin in Illayankudi Taluk in Sivagangai District	2	4	250	12.36	
39	AP_39/ IAMWARM/ WRD/ KOYR / WORKS/ I / 2011-2012	Lining of Head Irrigation Channel and providing Flow Measuring devices for Mudaveli and Maricheri Tank in Kottakaraiyar Sub basin in Illayankudi Taluk in Sivagangai District	2	4	160	12.36	
40	AP_40/ IAMWARM/ WRD/ KOYR / WORKS/ I / 2011-2012	Lining of Head Irrigation Channel and providing Flow Measuring devices for Kandani, soochinankudi and Thokkanendal Tank in Kottakaraiyar Sub basin in Illayankudi Taluk in Sivagangai District	3	6	240	12.15	
41	AP_41/ IAMWARM/ WRD/ KOYR / WORKS/ I / 2011-2012	Lining of Head Irrigation Channel and providing Flow Measuring devices for Ochanthattu and V.Pudukulam Tank in Kottakaraiyar Sub basin in Sivagangai Taluk in Sivagangai District	2	5	200	11.54	

42	AP_42/ IAMWARM/ WRD/ KOYR / WORKS/ I / 2011-2012	Lining of Head Irrigation Channel and providing Flow Measuring devices for Thugavur and Virayathakandan Tank in Kottakaraiyar Sub basin in Illayankudi Taluk in Sivagangai District	2	5	250	12.49	
43	AP_43/ IAMWARM/ WRD/ KOYR / WORKS/ I / 2011-2012	Lining of Head Irrigation Channel and providing Flow Measuring devices for Seigalathur Big Tank, Seigalathur Small Tank in Kottakaraiyar Sub basin of Manamadurai Taluk in Sivagangai District	2	7	240	12.28	
44	AP_44/ IAMWARM/ WRD/ KOYR / WORKS/ I / 2011-2012	Lining of Head Irrigation Channel and providing Flow Measuring devices for Vanchikulam Tank , Kalkurichi Tank in Kottakaraiyar Sub basin of Manamadurai Taluk in Sivagangai District	2	6	240	12.15	
45	AP_45/ IAMWARM/ WRD/ KOYR / WORKS/ I / 2011-2012	Lining of Head Irrigation Channel and providing Flow Measuring devices for Valachiyendhal Tank, Vadukuchandanur Tank in Kottakaraiyar Sub basin of Manamadurai Taluk in Sivagangai District	2	6	245	12.39	
46	AP_46/ IAMWARM/ WRD/ KOYR / WORKS/ I / 2011-2012	Lining of Head Irrigation Channel and providing Flow Measuring devices for N.Pukkuli Tank , S.Karaikudi Tank in Kottakaraiyar Sub basin of Manamadurai Taluk in Sivagangai District	2	5	250	12.49	
47	AP_47/ IAMWARM/ WRD/ KOYR / WORKS/ I / 2011-2012	Lining of Head Irrigation Channel and providing Flow Measuring devices for Puthanandal Tank , Ariyanur Tank in Kottakaraiyar Sub basin of Manamadurai Taluk in Sivagangai District	2	6	245	12.39	

48	AP_48/ IAMWARM/ WRD/ KOYR / WORKS/ I / 2011-2012	Lining of Head Irrigation Channel and providing Flow Measuring devices for Maruthanganalur Big tank in Kottakkaraiyar Sub basin of Manamadurai Taluk in Sivagangai District	1	5	200	10.13	
49	AP_49/ IAMWARM/ WRD/ KOYR / WORKS/ I / 2011-2012	Lining of Head Irrigation Channel and providing Flow Measuring devices for Pidaranendal Tank in Kottakkaraiyar Sub basin of illayangudi Taluk in Sivagangai District	1	4	190	9.52	
50	AP_50/ IAMWARM/ WRD/ KOYR / WORKS/ I / 2011-2012	Lining of Head Irrigation Channel and providing Flow Measuring devices for Manakkudi Tank in Kottakkaraiyar Sub basin of illangudi Taluk in Sivagangai District	1	5	225	11.31	
51	AP_51/ IAMWARM/ WRD/ KOYR / WORKS/ I / 2011-2012	Lining of Head Irrigation Channel and providing Flow Measuring devices for kakkudi Tank in Kottakkaraiyar Sub basin of illayangudi Taluk in Sivagangai District	1	4	140	7.15	
52	AP_52/ IAMWARM/ WRD/ KOYR / WORKS/ I / 2011-2012	Linning of Head Irrigation Channel and Providing Flow Measuring devices for Brahmanakurichi Tank in Ilayankudi Taluk, Sivagangai District	1	2	100	5.00	
53	AP_53/ IAMWARM/ WRD/ KOYR / WORKS/ I / 2011-2012	Linning of Head Irrigation Channel and Providing Flow Measuring devices for Munaiventri Tank in Ilayankudi Taluk, Sivagangai District	1	3	150	7.49	

54	AP_54/ IAMWARM/ WRD/ KOYR / WORKS/ I / 2011-2012	Linning of Head Irrigation Channel and Providing Flow Measuring devices for Katchathanallur Tank in Manamadurai Taluk, Sivagangai District	1	4	200	9.99	
55	AP_55/ IAMWARM/ WRD/ KOYR / WORKS/ I / 2011-2012	Linning of Head Irrigation Channel and Providing Flow Measuring devices for Nettur Tank in Manamadurai Taluk, Sivagangai District	1	6	210	10.73	
56	AP_56/ IAMWARM/ WRD/ KOYR / WORKS/ I / 2011-2012	Linning of Head Irrigation Channel and Providing Flow Measuring devices for T.Pudukkottai Tank in Ilayankudi Taluk, Sivagangai District	1	3	150	7.49	
57	AP_57/ IAMWARM/ WRD/ KOYR / WORKS/ I / 2011-2012	Linning of Head Irrigation Channel and Providing Flow Measuring devices for Salaigramam Tank & Sathanoor Tank in Ilayankudi Taluk, Sivagangai District	2	5	210	10.60	
58	AP_58/ IAMWARM/ WRD/ KOYR / WORKS/ I / 2011-2012	Linning of Head Irrigation Channel and Providing Flow Measuring devices for Ariyandipuram Tank & Ilayankudi Tank in Ilayankudi Taluk, Sivagangai District	2	4	200	9.99	
59	AP_59/ IAMWARM/ WRD/ KOYR / WORKS/ I / 2011-2012	Linning of Head Irrigation Channel and Providing Flow Measuring devices for Vannathan Tank & Thennavarayan Tank in Ilayankudi Taluk, Sivagangai District	2	5	190	9.65	

60	AP_60/ IAMWARM/ WRD/ KOYR / WORKS/ I / 2011-2012	Linning of Head Irrigation Channel and Providing Flow Measuring devices for Valayarendal Tank, Pokkanendal Tank, Palla Tank and Perumbalai Tank in Ilayankudi Taluk, Sivagangai District	4	5	210	10.60	
61	AP_61/ IAMWARM/ WRD/ KOYR / WORKS/ I / 2011-2012	Linning of Head Irrigation Channel and Providing Flow Measuring devices for Peethambaranendal Tank and Chithanendal Tank in Ilayankudi Taluk, Sivagangai District	2	5	200	10.13	
62	AP_62/ IAMWARM/ WRD/ KOYR / WORKS/ I / 2011-2012	Linning of Head Irrigation Channel and Providing Flow Measuring devices for Panchanoor Tank and Seevalathi Tank in Ilayankudi Taluk, Sivagangai District	2	7	210	10.87	
63	AP_63/ IAMWARM/ WRD/ KOYR / WORKS/ I / 2011-2012	Lining of Head Irrigation Channel and providing Flow Measuring devices for Porandiendal Tank, Marchikattiendal Tank, Alangulam Tank, and Mylooraniendal Tank in Kottakaraiyar Sub basin in Thiruvadanai Taluk in Ramanathapuram District	4	5	160	8.23	
64	AP_64/ IAMWARM/ WRD/ KOYR / WORKS/ I / 2011-2012	Lining of Head Irrigation Channel and providing Flow Measuring devices for Palangulam Tank, Mavilangai Tank, Ladanendal Tank, and Mathipanendal Tank in Kottakaraiyar Sub basin in Thiruvadanai Taluk in Ramanathapuram District	4	4	124	6.39	

65	AP_65/ IAMWARM/ WRD/ KOYR / WORKS/ I / 2011-2012	Lining of Head Irrigation Channel and providing Flow Measuring devices for Chittanendal Tank , Avarendal Tank ,and Kalangpuli Tank in Kottakaraiyar Sub basin in Thiruvadanai Taluk , Panthappaendal Tank in Ramanathapuram District	4	5	165	8.47	
66	AP_66/ IAMWARM/ WRD/ KOYR / WORKS/ I / 2011-2012	Lining of Head Irrigation Channel and providing Flow Measuring devices for Melavayal Tank,Seeniendal Tank,and Naganendal Small Tank in Kottakaraiyar Sub basin in Thiruvadanai Taluk in Ramanathapuram District	3	4	125	6.45	
67	AP_67/ IAMWARM/ WRD/ KOYR / WORKS/ I / 2011-2012	Lining of Head Irrigation Channel and providing Flow Measuring devices for Aladiendal Tank,Ganapathiendal Tank,Thatchanendal Tank, and Ayyanarendal Tank in Kottakaraiyar Sub basin in Thiruvadanai Taluk in Ramanathapuram District	4	5	160	8.23	
68	AP_68/ IAMWARM/ WRD/ KOYR / WORKS/ I / 2011-2012	Lining of Head Irrigation Channel and providing Flow Measuring devices for Chitturvadiendal Tank,Vallakulam Tank,Keelachendanenda Tank,and Kadalurendal Tank in Kottakaraiyar Sub basin in Thiruvadanai Taluk in Ramanathapuram District	4	5	165	8.47	
69	AP_69/ IAMWARM/ WRD/ KOYR / WORKS/ I / 2011-2012	Lining of Head Irrigation Channel and providing Flow Measuring devices for Kalooraniendal Tank,and Oruvanendal Tank in Kottakaraiyar Sub basin in Thiruvadanai Taluk in Ramanathapuram District	2	2	70	3.58	

70	AP_70/ IAMWARM/ WRD/ KOYR / WORKS/ I / 2011-2012	Lining of Head Irrigation Channel and providing Flow Measuring devices for Ayangudi Tank in Kottakaraiyar Sub basin in Thiruvadanai Taluk in Ramanathapuram District	1	3	90	4.66	
71	AP_71/ IAMWARM/ WRD/ KOYR / WORKS/ I / 2011-2012	Lining of Head Irrigation Channel and providing Flow Measuring devices for Melakaikudi Tank and Melpanaiyur Small Tank in Kottakaraiyar Sub basin in Thiruvadanai Taluk in Ramanathapuram District	2	5	155	8.00	
72	AP_72/ IAMWARM/ WRD/ KOYR / WORKS/ I / 2011-2012	Lining of Head Irrigation Channel and providing Flow Measuring devices for Bagavathymangalam Tank in Kottakaraiyar Sub basin in Thiruvadanai Taluk in Ramanathapuram District	1	3	105	5.37	
73	AP_73/ IAMWARM/ WRD/ KOYR / WORKS/ I / 2011-2012	Lining of Head Irrigation Channel and providing Flow Measuring devices for Vagaikudi Tank in Kottakaraiyar Sub basin in Thiruvadanai Taluk in Ramanathapuram District	1	3	90	4.66	
74	AP_74/ IAMWARM/ WRD/ KOYR / WORKS/ I / 2011-2012	Lining of Head Irrigation Channel and providing Flow Measuring devices for Kumiliendal Tank and Mettukarkalathur Tank in Kottakaraiyar Sub basin in Thiruvadanai Taluk in Ramanathapuram District	2	4	120	6.21	
75	AP_75/ IAMWARM/ WRD/ KOYR / WORKS/ I / 2011-2012	Lining of Head Irrigation Channel and providing Flow Measuring devices for Gudaloor Tank in Kottakaraiyar Sub basin in Thiruvadanai Taluk in Ramanathapuram District	1	5	150	7.76	

76	AP_76/ IAMWARM/ WRD/ KOYR / WORKS/ I / 2011-2012	Lining of Head Irrigation Channel and providing Flow Measuring devices for Sammanthavayal Tank and Kokoorani Tank in Kottakaraiyar Sub basin in Thiruvadanai Taluk in Ramanathapuram District	2	4	125	6.45	
77	AP_77/ IAMWARM/ WRD/ KOYR / WORKS/ I / 2011-2012	Lining of Head Irrigation Channel and providing Flow Measuring devices forKavanakottai Tank and Varavani Tank in Kottakaraiyar Sub basin in Thiruvadanai Taluk in Ramanathapuram District	2	4	125	6.45	
78	AP_78/ IAMWARM/ WRD/ KOYR / WORKS/ I / 2011-2012	Lining of Head Irrigation Channel and providing Flow Measuring devices for Thuvar Tank , Kaikulam Tank and Nettendal Tank in Kottakaraiyar Sub basin in Thiruvadanai Taluk in Ramanathapuram District	3	5	165	8.47	
79	AP_79/ IAMWARM/ WRD/ KOYR / WORKS/ I / 2011-2012	Lining of Head Irrigation Channel and providing Flow Measuring devices for Kattanur Tank and Muthankottai Tank in Kottakaraiyar Sub basin in Thiruvadanai Taluk in Ramanathapuram District	2	4	120	6.21	
80	AP_80/ IAMWARM/ WRD/ KOYR / WORKS/ I / 2011-2012	Lining of Head Irrigation Channel and providing Flow Measuring devices for Parani Tank and Parappan Tank in Kottakaraiyar Sub basin in Thiruvadanai Taluk in Ramanathapuram District	2	4	125	6.45	
81	AP_81/ IAMWARM/ WRD/ KOYR / WORKS/ I / 2011-2012	Linning of Head Irrigation Channel and Providing Flow Measuring devices for N. Puliyangulam Tank in manamadurai Taluk at Sivagangai District.	1	6	240	12.15	

82	AP_82/ IAMWARM/ WRD/ KOYR / WORKS/ I / 2011-2012	Linning of Head Irrigation Channel and Providing Flow Measuring devices for Pottavayal & Kalyani Tank in Ilayangudi Taluk at Sivagangai District.	2	6	240	12.15	
83	AP_83/ IAMWARM/ WRD/ KOYR / WORKS/ I / 2011-2012	Linning of Head Irrigation Channel and Providing Flow Measuring devices for Thadiyamangalam Tank in Ilayangudi Taluk at Sivagangai District.	1	6	240	12.15	
84	AP_84/ IAMWARM/ WRD/ KOYR / WORKS/ I / 2011-2012	Linning of Head Irrigation Channel and Providing Flow Measuring devices for Devathagudi & Sathamangalam Tank in Ilayangudi Taluk at Sivagangai District.	2	4	210	10.36	
85	AP_85/ IAMWARM/ WRD/ KOYR / WORKS/ I / 2011-2012	Linning of Head Irrigation Channel and Providing Flow Measuring devices for Sathani Tank in Ilayangudi Taluk at Sivagangai District.	1	4	200	9.99	
86	AP_86/ IAMWARM/ WRD/ KOYR / WORKS/ I / 2011-2012	Linning of Head Irrigation Channel and Providing Flow Measuring devices for Vallakulam Tank in Ilayangudi Taluk at Sivagangai District.	1	6	240	12.15	
87	AP_87/ IAMWARM/ WRD/ KOYR / WORKS/ I / 2011-2012	Linning of Head Irrigation Channel and Providing Flow Measuring devices for Ayyanarkulam Tank in manamadurai Taluk at Sivagangai District.	1	4	200	9.99	

88	AP_88/ IAMWARM/ WRD/ KOYR / WORKS/ I / 2011-2012	Linning of Head Irrigation Channel and Providing Flow Measuring devices for Vadakukeeranur Tank in Ilayangudi Taluk at Sivagangai District.	1	7	240	12.28	
89	AP_89/ IAMWARM/ WRD/ KOYR / WORKS/ I / 2011-2012	Linning of Head Irrigation Channel and Providing Flow Measuring devices for Therkukeeranur Tank in Ilayangudi Taluk at Sivagangai District.	1	6	240	12.15	
		Total	195	437	18044	930.02	

Assistant Engineer, PWD/WRO
Irrigation Section, Madagupatti

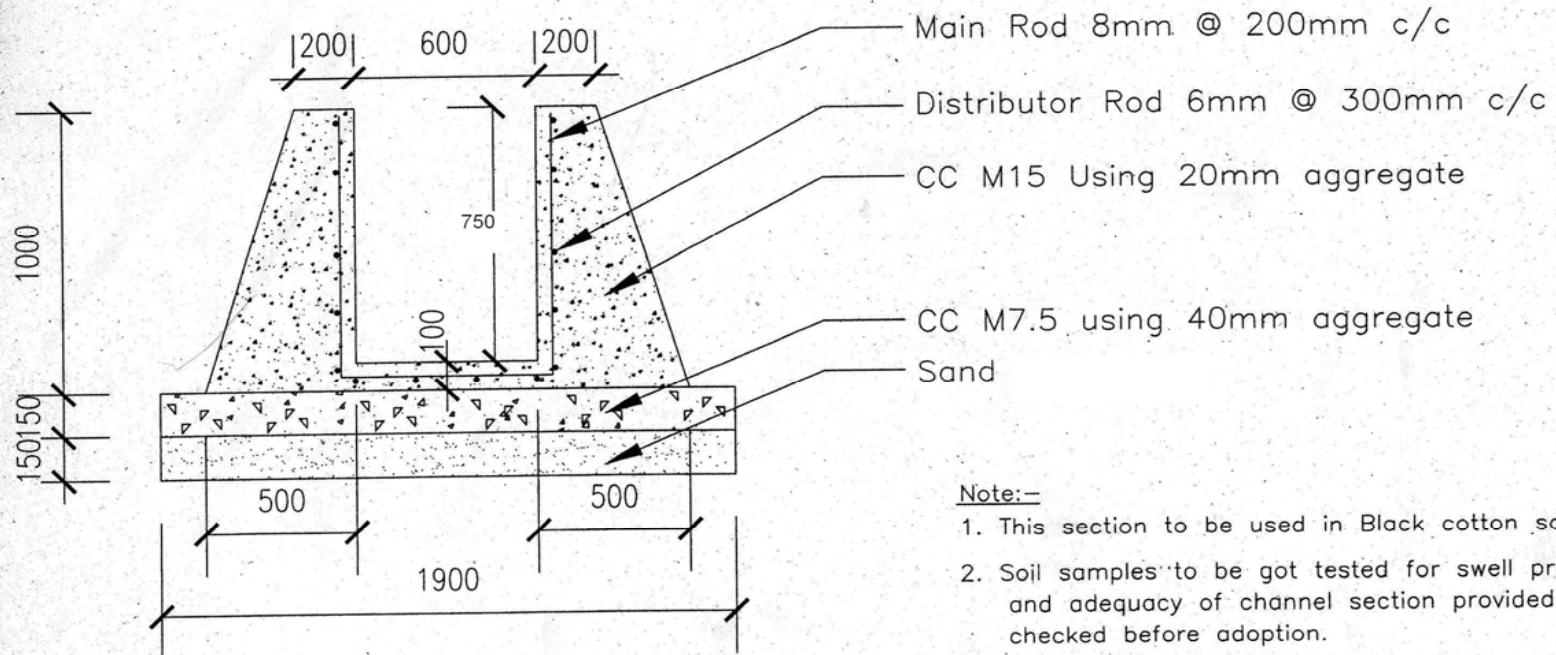
Assistant Executive Engineer, PWD/WRO
Saruganiyar Basin Sub Division, Sivaganga

Executive Engineer, PWD/WRO
Saruganiyar Basin Division, Sivaganga

Superintending Engineer, PWD/WRO
Lower Vaigai Basin Circle, Sivaganga

Chief Engineer, PWD/WRO
Madurai Region, Madurai

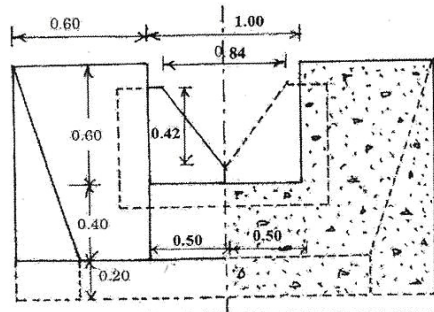
LINING OF IRRIGATION CHANNEL TYPICAL CROSS SECTION FOR BLACK COTTON SOIL



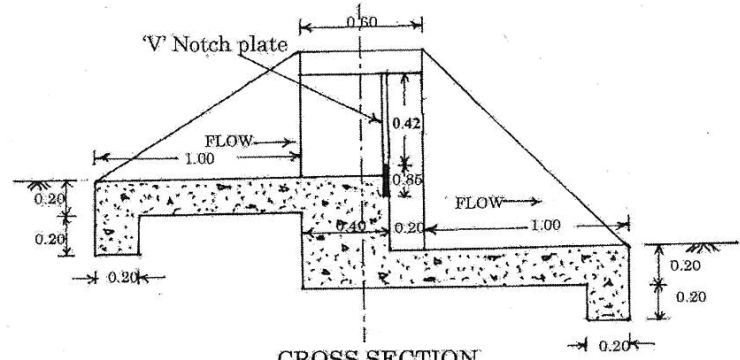
Note:-

1. This section to be used in Black cotton soil.
2. Soil samples to be got tested for swell pressure and adequacy of channel section provided to be checked before adoption.
3. Nominal cover to steel reinforcements = 30 mm

IAMWARM PROJECT
KOTTAKARAIYAR SUB BASIN
IRRIGATION CHANNEL LINING
Scale:-1:1000
All dimension are in | MM |

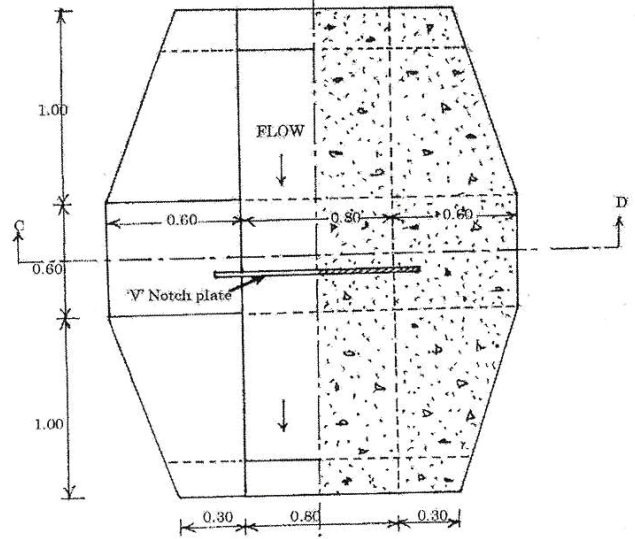


HALF FRONT ELEVATION AND HALF SECTIONAL ELEVATION AT 'CD'



CROSS SECTION

TYPE - D
4 CUSEC V-NOTCH



HALF PLAN AT TOP AND HALF PLAN AT BOTTOM

V-NOTCH - SALIENT DETAILS (For 1 to 4 C/s)

Discharge		Head Over Crest Cm	V Notch size Cm	Overall size Cm	Total Nos
Cusec	Litre / sec				
1	28.3	20.5	25 x 50	50 x 65	--
2	56.6	27	30 x 60	50 x 75	53 Nos
3	85	32	35 x 70	55 x 90	222 Nos
4	113.27	36	42 x 84	60 x 100	162 Nos

JAMWARM PROJECT - PHASE IV
KOTAKARAIYAR SUB BASIN
PROVIDING FLOW MEASURING
DEVICE (V NOTCH) IN THE FIELD
CHANNEL OF TANK SLUICE
Scale :- 1cm = 0.25m
All dimension are in Metro