



GOVERNMENT OF TAMILNADU

PUBLIC WORKS DEPARTMENT

WATER RESOURCES ORGANISATION

TN IAM WARM PROJECT

MANIMUTHAR SUB BASIN

ADDITIONAL PROPOSAL DPR

ESTIMATE COST Rs : 546.81 LAKHS

MADURAI REGION

**Additional proposals for providing Lining of Head Irrigation Channel and Flow
Measuring Device in Manimuthar sub basin (Phase II)
under IAMWARM Project**

The lining of Head Irrigation channel and installation of measuring device has been proposed for Phase I and II sub basins by utilizing the Project Savings as discussed with the World Bank, during the implementation support mission from Sept 12-20th 2011.

Accordingly in the Manimuthar sub basin of Phase I, the following works have been proposed.

- i) Lining of Head Irrigation channel below the tanks sluice for a distance of about 30m in M15 concrete as per sketch enclosed
- ii) Installing flow measuring device in the Head Irrigation channel as per sketch
- iii) L.S provision of 2.8 % for Provision of labour welfare @ 0.30 % and provision for contingencies, advertisement charges , photographic charges @ 2.5%

The package details are appended separately and works are proposed to be taken up under national shopping procedure

The total cost for the DPR works out to **Rs. 546.81 lakhs.**

Executive Engineer, PWD/WRD
Manimuthar Basin Division
Devakottai

Superintending Engineer, PWD/WRD
Lower Vaigai Basin Circle
Sivaganga

Chief Engineer, PWD/WRD
Madurai Region, Madurai

FORMAT- I

Name of Region Madurai
 Name of Circle Lower Vigai Basin Circle - Sivagangai
 Name of Division Manimuthar Basin Division, Devakottai
Name of Sub Basin Manimuthar

TOTAL NO OF TANKS TAKEN UNDER IAMWARM : 378 Nos

Rs. in Lakhs

NO OF TANKS, SLUICES IN EACH PACKAGE

TOTAL NO OF TANKS TAKEN UNDER IAMWARM : 378 Nos

Rs. in Lakhs

Sl. No	Package No	Name of Tank	No of Sluices	Flow Measuring Device		Lining the Field Channel			Total Amount	LS Provisions @ 2.8%	Grand Total	Remarks
				No	Amount	Type of Soil. B.C / O.S	Length in Metre	Amount				
1	AP 1/ IAMWARAM / WRD/ MANI / WORKS/ I / 2011-12	Andi Kanmoi	2	2	0.24	BC	80.00	3.20	3.44			Old package No M ₈
		Kannamangalam Kanmoi	2	2	0.24	,,	80.00	3.20	3.44			
		Kavini Kanmoi	2	2	0.24	,,	65.00	2.60	2.84			
		Total	6	6	0.72		225.00	9.00	9.72	0.28	10.00	
2	AP 2/ IAMWARAM / WRD/ MANI / WORKS/ I / 2011-12	Sitha Tank	2	2	0.24	BC	60.00	2.40	2.64			Old package No M ₈
		Mathur Tank	2	2	0.24	,,	60.00	2.40	2.64			
		Mulliyal Tank	2	2	0.24	,,	50.00	2.00	2.24			
		Erumai Tank	4	4	0.48	,,	50.00	2.00	2.48			
		Total	10	10	1.2		220.00	8.80	10	0.25	10.25	
3	AP 3/ IAMWARAM / WRD/ MANI / WORKS/ I / 2011-12	Karumathur Tank	4	4	0.48	BC	90.00	3.60	4.08			Old package No M ₈
		Suthamalli Tank	4	4	0.48	,,	90.00	3.60	4.08			
		Eluvani Tank	2	2	0.24	,,	40.00	1.60	1.84			

		Total	10	10	1.2		220.00	8.80	10	0.27	10.27	
4	AP 4/ IAMWARAM / WRD/ MANI / WORKS/ I / 2011-12	Aralikottai Tank	4	4	0.48	BC	90.00	3.60	4.08			Old package No M ₈
		EriyurTank	2	2	0.24	,,	60.00	2.40	2.64			
		Sengulam Tank	2	2	0.24	,,	60.00	2.40	2.64			
		Total	8	8	0.96		210.00	8.40	9.36	0.26	9.62	
Grand Total		34	34	4.08		875.00	35.00	39.08	1.06208	40.14		
5	AP 5/ IAMWARAM / WRD/ MANI / WORKS/ I / 2011-12	Sirumaruthur Tank	4	4	0.48	BC	100.00	4.00	4.48			Old package No M ₇
		Vinayagar Tank	4	4	0.48	,,	100.00	4.00	4.48			
		Total	8	8	0.96		200.00	8.00	8.96	0.25	9.21	
6	AP 6/ IAMWARAM / WRD/ MANI / WORKS/ I / 2011-12	Chetti Kanmoi	2	2	0.24	BC	50.00	2.00	2.24			Old package No M ₇
		Peruvengai Kanmoi	3	3	0.36	,,	75.00	3.00	3.36			
		Annamalai Kanmoi	2	2	0.24	,,	50.00	2.00	2.24			
		Total	7	7	0.84		175.00	7.00	7.84	0.22	8.06	
7	AP 7/ IAMWARAM / WRD/ MANI / WORKS/ I / 2011-12	Pudu Kanmoi	4	4	0.48	BC	100.00	4.00	4.48			Old package No M ₇
		Aruvi Kanmoi	1	1	0.12	,,	30.00	1.20	1.32			
		Total	5	5	0.6		130.00	5.20	5.80	0.16	5.96	
8	AP 8/ IAMWARAM / WRD/ MANI / WORKS/ I / 2011-12	Matti Tank	4	4	0.48	BC	100.00	4.00	4.48			Old package No M ₇
		Inoothy Tank	3	3	0.36	,,	75.00	3.00	3.36			
		Total	7	7	0.84		175.00	7.00	7.84	0.22	8.06	

9	AP 9 / IAMWARAM / WRD/ MANI / WORKS/ I / 2011-12	Mankudi Kanmoi	1	1	0.12	BC	30.00	1.20	1.32			Old package No M ₇
		Siru Cinnappan Kanmoi	1	1	0.12	„	30.00	1.20	1.32			
		Eluppai Kanmoi	2	2	0.24	„	60.00	2.40	2.64			
		Poolan Kanmoi	2	2	0.24	„	50.00	2.00	2.24			
		Velan Chetty Kanmoi	1	1	0.12	„	30.00	1.20	1.32			
		Total	7	7	0.84		200.00	8.00	8.84	0.25	9.09	
10	AP 10 / IAMWARAM / WRD/ MANI / WORKS/ I / 2011-12	Pottakuruchi Kanmoi	2	2	0.24	BC	50.00	2.00	2.24			Old package No M ₇
		potta kanmoi	2	2	0.24	„	50.00	2.00	2.24			
		Periya Purucsan Kanmoi	2	2	0.24	„	50.00	2.00	2.24			
		Total	6	6	0.72		150.00	6.00	6.72	0.19	6.91	
11	AP 11 / IAMWARAM / WRD/ MANI / WORKS/ I / 2011-12	Varkudi Kanmoi	3	3	0.36	BC	75.00	3.00	3.36			Old package No M ₇
		Karadi Kanmoi	2	2	0.24	„	50.00	2.00	2.24			
		Karatandi Kanmoi	3	3	0.36	„	75.00	3.00	3.36			
		Total	8	8	0.96		200.00	8.00	8.96	0.25	9.21	
12	AP 12 / IAMWARAM / WRD/ MANI / WORKS/ I / 2011-12	Silaneer Tank	2	2	0.24	BC	50.00	2.00	2.24			Old package No M ₇
		Boothani Tank	4	4	0.48	„	100.00	4.00	4.48			
		Total	6	6	0.72	„	150.00	6.00	6.72	0.19	6.91	
13	AP 13 / IAMWARAM / WRD/ MANI / WORKS/ I / 2011-12	Murai Tank	3	3	0.36	„	75.00	3.00	3.36			Old package No M ₇
		Meli Tank	2	2	0.24	„	50.00	2.00	2.24			
		Total	5	5	0.6		125.00	5.00	5.60	0.16	5.76	

14	AP 14/ IAMWARAM / WRD/ MANI / WORKS/ I / 2011-12	Perumi Tank	3	3	0.36	BC	90.00	3.60	3.96			Old package No M ₇
		Mthavarayan pattyTank	3	3	0.36	,,	80.00	3.20	3.56			
		Karuppur Tank	2	2	0.24	,,	50.00	2.00	2.24			
		Total	8	8	0.96		220.00	8.80	9.76	0.27	10.03	
15	AP 15/ IAMWARAM / WRD/ MANI / WORKS/ I / 2011-12	Manakudi Big Tank	3	3	0.36	BC	90.00	3.60	3.96			Old package No M ₇
		Velangudi Tank	3	3	0.36	,,	90.00	3.60	3.96			
		Total	6	6	0.72		180.00	7.20	7.92	0.22	8.14	
16	AP 16/ IAMWARAM / WRD/ MANI / WORKS/ I / 2011-12	VillurTank	4	4	0.48	BC	114.00	4.56	5.04			Old package No M ₇
		Kottaiyiruppi Tank	3	3	0.36	,,	90.00	3.60	3.96			
		Total	7	7	0.84		204.00	8.16	9.00	0.25	9.25	
Grand Total			80	80	9.60		2109.00	84.36	93.96	2.63088	96.59	
17	AP 17/ IAMWARAM / WRD/ MANI / WORKS/ I / 2011-12	Kannani Tank	4	4	0.48	BC	100.00	4.00	4.48			Old package No M ₁
		Nerkuppai Tank	3	3	0.36	,,	90.00	3.60	3.96			
		Total	7	7	0.84		190.00	7.60	8.44	0.24	8.68	
18	AP 18 / IAMWARAM / WRD/ MANI / WORKS/ I / 2011-12	Pandi Tank	4	4	0.48	BC	100.00	4.00	4.48			Old package No M ₁
		Periyasenthamangalam Tank	2	2	0.24	,,	60.00	2.40	2.64			
		Pappanpatti Tank	2	2	0.24	,,	60.00	2.40	2.64			
		Total	8	8	0.96		220.00	8.80	9.76	0.27	10.03	
19	AP 19 / IAMWARAM / WRD/ MANI / WORKS/ I / 2011-12	Ovali Tank	3	3	0.36	BC	100.00	4.00	4.36			Old package No M ₁
		Mahibalanpatti Tank	2	2	0.24	,,	60.00	2.40	2.64			
		Keela Kanmoi Tank	1	1	0.12	,,	30.00	1.20	1.32			

		Total	6	6	0.72		190.00	7.60	8.32	0.23	8.55	
20	AP 20 / IAMWARAM / WRD/ MANI / WORKS/ I / 2011-12	Thuvar Tank	5	5	0.60	BC	100.00	4.00	4.60			Old package No M ₁
		Vanjinipatti Tank	3	3	0.36	,,	90.00	3.60	3.96			
		Total	8	8	0.96		190.00	7.60	8.56	0.24	8.80	
21	AP 21 / IAMWARAM / WRD/ MANI / WORKS/ I / 2011-12	Konathanpatti Tank	3	3	0.36	BC	90.00	3.60	3.96			Old package No M ₁
		Ayirakudi Tank	5	5	0.60	,,	100.00	4.00	4.60			
		Total	8	8	0.96		190.00	7.60	8.56	0.24	8.80	
22	AP 22 / IAMWARAM / WRD/ MANI / WORKS/ I / 2011-12	Poolan Tank	4	4	0.48	BC	80.00	3.20	3.68			Old package No M ₁
		Meli Tank	2	2	0.24	,,	40.00	1.60	1.84			
		Mathagu Tank	1	1	0.12	,,	60.00	2.40	2.52			
		Total	7	7	0.84		180.00	7.20	8.04	0.23	8.27	
23	AP 23 / IAMWARAM / WRD/ MANI / WORKS/ I / 2011-12	Chinnakavini Tank	3	3	0.36	BC	80.00	3.20	3.56			Old package No M ₁
		Periyakavini Tank	3	3	0.36	,,	90.00	3.60	3.96			
		Pandamuthan Tank	3	3	0.36	,,	40.00	1.60	1.96			
		Total	9	9	1.08		210.00	8.40	9.48	0.27	9.75	
24	AP 24 / IAMWARAM / WRD/ MANI / WORKS/ I / 2011-12	Therotti Tank	4	4	0.48	BC	100.00	4.00	4.48			Old package No M ₁
		Peruvangai Tank	3	3	0.36	,,	110.00	4.40	4.76			
		Total	7	7	0.84		210.00	8.40	9.24	0.26	9.50	
25	AP 25/ IAMWARAM / WRD/ MANI / WORKS/ I / 2011-12	Pilava Tank	5	5	0.60	BC	100.00	4.00	4.60			Old package No M ₁
		Pannimutti Tank	2	2	0.24	,,	60.00	2.40	2.64			
		Pudukanmoi	2	2	0.24	,,	60.00	2.40	2.64			

		Total	9	9	1.08		220.00	8.80	9.88	0.28	10.16	
26	AP 26 / IAMWARAM / WRD/ MANI / WORKS/ I / 2011-12	Parakkani Tank	2	2	0.24	BC	60.00	2.40	2.64			Old package No M1
		Pai Tank	2	2	0.24	„	60.00	2.40	2.64			
		Osuvan Kanmoi	1	1	0.12	„	30.00	1.20	1.32			
		Karuvel Kanmoi	1	1	0.12	„	30.00	1.20	1.32			
		Karungani Tank	1	1	0.12	„	30.00	1.20	1.32			
		Total	7	7	0.84		210.00	8.40	9.24	0.26	9.50	
27	AP 27 / IAMWARAM / WRD/ MANI / WORKS/ I / 2011-12	Kalathi Tank	2	2	0.24	BC	50.00	2.00	2.24			Old package No M1
		Nalli Tank	3	3	0.36	„	80.00	3.20	3.56			
		Manaya Tank	3	3	0.36	„	90.00	3.60	3.96			
		Total	8	8	0.96		220.00	8.80	9.76	0.27	10.03	
28	AP 26 / IAMWARAM / WRD/ MANI / WORKS/ I / 2011-12	Thiruppathur big Tank	4	4	0.48	BC	100.00	4.00	4.48			Old package No M1
		Karaiyur Tank	2	2	0.24	„	60.00	2.40	2.64			
		Ilayathangudi Tank	2	2	0.24	„	60.00	2.40	2.64			
		Total	8	8	0.96		220.00	8.80	9.76	0.27	10.03	
29	AP 29 /IAMWARAM/WRD/MANI/ WORKS/ I / 2011-12	Parani Tank	2	2	0.24	BC	90.00	3.60	3.84			Old package No M1
		Kudikathan Tank	4	4	0.48	„	100.00	4.00	4.48			
		Total	6	6	0.72		190.00	7.60	8.32	0.23	8.55	
		Grand Total	98	98	11.76		2640.00	105.60	117.36	3.29	120.65	

30	AP 30 /IAMWARM/WRD/ MANI/WORKS// 2011.2012	Kambani Tank	4	4	0.50	BC	145	5.95	6.45	0.18	6.63	Old package No M ₂
31	AP 31 /IAMWARM/WRD/ MANI/WORKS// 2011.2012	Koothagudi Tank	5	5	0.63	BC	145	5.97	6.60	0.18	6.78	Old package No M ₂
32	AP 32 /IAMWARM/WRD/ MANI/WORKS// 2011.2012	Melkudi Tank	5	5	0.63	BC	146	5.97	6.60	0.18	6.78	Old package No M ₂
33	AP 33 /IAMWARM/WRD/ MANI/WORKS// 2011.2012	Ettukkudi Tank	4	4	0.50	BC	116	4.77	5.27	0.15	5.42	Old package No M ₂
34	AP 34 /IAMWARM/WRD/MANI/W ORKS//2011.2012	Alangudi Tank	6	6	0.75	BC	175	7.16	7.91	0.22	8.13	Old package No M ₂
35	AP 35 /IAMWARM/WRD/ MANI/WORKS// 2011.2012	Sirumaruthur tank	2	2	0.25	BC	58	2.39	2.64	0.07	2.71	Old package No M ₂
		Kongarathi tank	5	5	0.63	„	146	5.97	6.60	0.18	6.78	
			7	7	0.88		204	8.36	9.24	0.25872	9.499	

36	AP 36/ IAMWARM/WRD/ MANI/WORKS// 2011.2012	Avanthi Tank	6	6	0.75	BC	180	7.36	8.11	0.23	8.34	Old package No M ₂
37	AP 37 /IAMWARM/WRD/ MANI/WORKS// 2011.2012	Athani Tank	7	7	0.88	BC	210	8.63	9.51	0.27	9.78	Old package No M ₂
38	AP 38 /IAMWARM/WRD/ MANI/WORKS// 2011.2012	Veliyathur tank	4	4	0.50	BC	180	7.41	7.91	0.22	8.13	Old package No M ₂
		Kilamadam tank	1	1	0.13	„	31	1.27	1.40	0.04	1.44	
		Total	5	5	0.63		211	8.68	9.31	0.26	9.57	
		Grand Total	49	49	6.15		1532	62.85	69.00	1.93	70.93	
39	AP 39 /IAMWARM/WRD/ MANI/WORKS// 2011.2012	Thanneer Tank	3	3	0.36	BC	90.00	3.60	3.96			Old package No M ₃
		Periyakulam Tank	1	1	0.12	„	40.00	1.60	1.72			
		Kavadikulam Tank	3	3	0.36	„	90.00	3.60	3.96			
		Total	7	7	0.84		220.00	8.80	9.64	0.27	9.91	
40	AP 40 /IAMWARM/WRD/ MANI/WORKS// 2011.2012	Alagan sirukudi tank	4	4	0.48	BC	160.00	6.40	6.88			Old package No M ₃
		Soludaiyan Tank	2	2	0.24	„	60.00	2.40	2.64			
		Total	6	6	0.72		220.00	8.80	9.52	0.27	9.79	
41	AP 41 /IAMWARM/WRD/ MANI/WORKS//	chokanarayanaperi Tank	3	3	0.36	BC	90.00	3.60	3.96			Old package No M ₃
		Narikudipananthittai	2	2	0.24	„	60.00	2.40	2.64			

	2011.2012		Total	5	5	0.6		150.00	6.00	6.60	0.18	6.78	
42	AP 42 /IAMWARAM/WRD/MANI/ WORKS/ I / 2011-12	Vadamavali Tank	4	4	0.48	BC	200.00	8.00	8.48	0.24	8.72	Old package No M ₃	
43	AP 43 / IAMWARAM / WRD / MANI / WORKS / I / 2011-12	Pattathi Tank	6	6	0.72	BC	200.00	8.00	8.72	0.24	8.96	Old package No M ₃	
44	AP 44 / IAMWARAM / WRD / MANI / WORKS / I / 2011-12	Alathi tank	4	4	0.48	BC	160.00	6.40	6.88	0.19	7.07	Old package No M ₃	
45	AP 45 / IAMWARAM / WRD / MANI / WORKS / I / 2011-12	Mithilai Tank	5	5	0.60	BC	200.00	8.00	8.60	0.24	8.84	Old package No M ₃	
46	AP 46 / IAMWARAM/WRD/MANI/ WORKS/ I / 2011-12	Karungulam Tank	2	2	0.24	BC	60.00	2.40	2.64			Old package No M ₃	
		Peruchi Tank	5	5	0.60	„	145.00	5.80	6.40				
		Total	7	7	0.84		205.00	8.20	9.04	0.25	9.29		
		Grand Total	44	44	5.28		1555.00	62.20	67.48	1.89	69.37		
47	AP 47 /IAMWARM/WRD/ MANI/WORKS/I/ 2011.2012	Kakkattiruppu Tank	4	4	0.50	BC	100.00	4.07	4.57	0.13	4.70	Old package No M ₄	
		Pannithiruthi Tank	5	5	0.63	„	110.00	4.47	5.10	0.14	5.24		
		Total	9	9	1.13		210.00	8.54	9.67	0.27	9.94		

48	AP 48 /IAMWARM/WRD/ MANI/WORKS/I/2011.201 2	Sembanur Tank	5	5	0.63	BC	124.00	5.08	5.71	0.16	5.87	Old package No M ₄
49	AP 49 /IAMWARM/WRD/ MANI/WORKS/I/2011.201 2	Maruthan Tank	5	5	0.63	BC	124.00	5.09	5.72	0.16	5.88	Old package No M ₄
50	AP 50 /IAMWARM/WRD/ MANI/WORKS/I/2011.201 2	Poyyalur Tank	7	7	0.88	BC	149.00	6.09	6.97	0.20	7.17	Old package No M ₄
51	AP 51 /IAMWARM/WRD/ MANI/WORKS/I/2011.201 2	Marungipatti Tank	3	3	0.38	BC	75.00	3.05	3.43	0.10	3.53	Old package No M ₄
52	AP 52 /IAMWARM/WRD/MANI/W ORKS/I/2011.2012	Kasthurimangalam Tank	6	6	0.75	BC	145.00	6.10	6.85	0.19	7.04	Old package No M ₄
53	AP 53 /IAMWARM/WRD/ MANI/WORKS/I/2011.201 2	Pilar Tank	5	5	1.00	BC	124.00	5.08	6.08	0.17	6.25	Old package No M ₄

54	AP 54 /IAMWARM/WRD/ MANI/WORKS/I/2011.201 2	S.R.Pattanam Tank	6	6	0.75	BC	149.00	6.10	6.85	0.19	7.04	Old package No M ₄
55	AP 55 /IAMWARM/WRD/ MANI/WORKS/I/ 2011.2012	Kurumbi Tank	1	1	0.13	BC	25.00	1.02	1.15	0.03	1.18	Old package No M ₄
		Kanchirampeechetti Tank	3	3	0.38	„	75.00	3.05	3.43	0.10	3.53	
		Total	4	4	0.51		100.00	4.07	4.58	0.13	4.71	
56	AP 56 /IAMWARM/WRD/ MANI/WORKS/I/ 2011.2012	Malavarayan Tank	5	5	0.63	BC	124.00	5.09	5.72	0.16	5.88	Old package No M ₄
57	AP 57 /IAMWARM/WRD/ MANI/WORKS/I/ 2011.2012	Visalayankottai Tank	6	6	0.75	BC	160.00	6.59	7.34	0.21	7.55	Old package No M ₄
58	AP 58 /IAMWARM/WRD/MANI/W ORKS/I/2011.2012	Koothalur Tank	4	4	0.50	BC	100.00	4.07	4.57	0.13	4.70	Old package No M ₄
		Kalippuli Tank	3	3	0.38	„	74.00	3.05	3.43	0.10	3.53	
			7	7	0.88		174.00	7.12	8.00	0.23	8.23	
59	AP 59 /IAMWARM/WRD/ MANI/WORKS/I/ 2011.2012	Perumaruthur Tank	3	3	0.38	BC	75.00	3.05	3.43	0.10	3.53	Old package No M ₄
		Ponnangudi Tank	1	1	0.13	„	18.00	0.76	0.89	0.03	0.92	

		Total	4	4	0.51		93.00	3.81	4.32	0.13	4.45	
		Grand Total	72	72	9.43		1751.00	71.81	81.24	2.30	83.54	
60	AP 60 /IAMWARM/WRD/ MANI/WORKS// 2011.2012	Eluvankottai Tank	4	4	0.56	BC	46.00	1.93	2.49			Old package No M ₅
		K.Pudukottai Tank	5	4	0.56	„	46.00	1.93	2.49			
		Kallankudi Tank	4	2	0.28	„	23.00	0.97	1.25			
		Nagadi Tank	4	4	0.56	„	46.00	1.93	2.49			
		Total	17	14	1.96		161.00	6.76	8.72	0.24	8.97	
61	AP 61 /IAMWARM/WRD/ MANI/WORKS// 2011.2012	Kottur Tank	4	1	0.14	BC	11.50	0.48	0.62			Old package No M ₅
		Thirumanavayal Tank	5	5	0.70	„	57.50	2.42	3.12			
		Thidakkottai Tank	6	6	0.84	„	69.00	2.90	3.74			
		Total	15	12	1.68		138.00	5.80	7.476	0.21	7.69	
62	AP 62 /IAMWARM/WRD/ MANI/WORKS// 2011.2012	Karkalathur Tank	5	5	0.70	BC	57.50	2.42	3.12			Old package No M ₅
		Vettivayal Tank	3	3	0.42	„	34.50	1.45	1.87			
		Kurunthanakottai Tank	5	2	0.28	„	23.00	0.97	1.25			
		Pavasi Tank	4	3	0.42	„	34.50	1.45	1.87			
		Kambani Tank	6	1	0.14	„	11.50	0.48	0.62			

		Total	23	14	1.96		161.00	6.76	8.722	0.24	8.97	
63	AP 63 /IAMWARM/WRD/ MANI/WORKS// 2011.2012	Selugai Tank	5	4	0.56	BC	46.00	1.93	2.49			Old package No M ₅
		Veelimarendal Tank	5	5	0.70	„	57.50	2.42	3.12			
		Total	10	9	1.26		103.50	4.35	5.607	0.16	5.76	
64	AP 64 /IAMWARM/WRD/ MANI/WORKS// 2011.2012	Vadinaniyur Tank	3	3	0.42	BC	34.50	1.45	1.87			Old package No M ₅
		Ilankudi Big Tank	6	6	0.84	„	69.00	2.90	3.74			
		Total	9	9	1.26		103.50	4.35	5.607	0.16	5.76	
65	AP 65 /IAMWARM/WRD/ MANI/WORKS// 2011.2012	Kaikudi Kanmoi	4	4	0.56	BC	60.00	2.52	3.08			Old package No M ₅
		Thuduppur - Alangudi Kanmoi	3	3	0.42	„	45.00	1.89	2.31			
		Hanumanthkudi Chinna Kanmoi	3	3	0.42	„	45.00	1.89	2.31			
		Total	10	10	1.40		150.00	6.30	7.7	0.22	7.92	
66	AP 66 /IAMWARM/WRD/ MANI/WORKS// 2011.2012	Mangalakudi Tank	5	5	0.70	BC	75.00	3.15	3.85			Old package No M ₅
		Thathani Tank	2	2	0.28	„	30.00	1.26	1.54			
		Sathanikottai Tank	1	1	0.14	„	15.00	0.63	0.77			
		Kappalur Tank	3	3	0.42	„	45.00	1.89	2.31			
		Total	11	11	1.54		165.00	6.93	8.47	0.24	8.71	

67	AP 67 /IAMWARM/WRD/ MANI/WORKS// 2011.2012	Thiruppakkottai Tank	2	2	0.28	BC	30.00	1.26	1.54			Old package No M ₅
		Thiruppakkottaiendal Tank	3	3	0.42	,,	45.00	1.89	2.31			
		Piranthani tank	3	3	0.42	,,	45.00	1.89	2.31			
		Total	8	8	1.12		120.00	5.04	6.16	0.17	6.33	
		GRAND TOTAL	103	87	12.18		1102.00	46.28	58.464	1.64	60.10	
68	AP 68 /IAMWARM/WRD/ MANI/WORKS// 2011.2012	Visumbur Kanmoi	2	2	0.28	BC	24.00	1.01	1.29			Old package No M ₆
		Sirukambiyur Tank	4	4	0.56	,,	44.00	1.84	2.40			
		N.Mangalam Kanmoi	3	3	0.42	,,	36.00	1.23	1.65			
		Total	9	9	1.26		104.00	4.08	5.34	0.15	5.49	
		GRAND TOTAL	489.00	473.00	59.74		11668.00	472.18	531.92	14.89	546.81	

Certified that the Tanks included in the originally approved DPR of Manimuthar Sub Basin alone are considered now

Certified that the above works have not been taken up in any other Project

Certified that the field / Irrigation channel drawing type I is adopted in 0 number of tanks having soil other than black cotton soil.

Certified that the field / Irrigation channel drawing type II is adopted in 150 number of tanks having black cotton soil

FORMAT II

Name of Region :Madurai
 Name of Circle :Lower Vaigai Basin Circle,Sivagangai
 Name of Division :**Manimuthar Basin Division, Devakottai**
 Name of Sub Basin :**Manimuthar**
 Total Number of Tanks taken up under IAMWARM : 378
 Method of procurement : National shopping
 (Note : Procurement plan to be got approved by World Bank separately)

PACKAGEWISE ABSTRACT

Sl. No	Package No	Name of Work	No.of Tanks	No of Measuring Device	Length of Irrigation Channel	Total Amount including L.S (Rs in Lakhs)	Remarks
1	AP 1 /IAMWARM/WRD/ MANI/WORKS// 2011.2012	Lining of head Irrigation Channel and providing Flow Measuring Devices for Andikanmoi ,kannamangalam kanmoi and kavinkanmoi, in Manimuthar Minor Basin of Manimuthar Sub Basin in Thiruppathur Taluk of Sivagangai District.	3	6	225	10.00	Old package No M ₈
2	AP 2 /IAMWARM/WRD/ MANI/WORKS// 2011.2012	Lining of head Irrigation Channel and providing Flow Measuring Devices for Sitha Tank ,Mathur Tank ,Mulliyal Tank and Erumai Tank in Manimuthar Minor Basin of Manimuthar Sub Basin in Thiruppathur Taluk of Sivagangai District.	4	10	220	10.25	„
3	AP 3 /IAMWARM/WRD/ MANI/WORKS// 2011.2012	Lining of head Irrigation Channel and providing Flow Measuring Devices for KarumathurTank, Suthamalli Tank and Eluvani Tank in Manimuthar Minor Basin of Manimuthar Sub Basin in Thiruppathur Taluk of Sivagangai District.	3	10	220	10.27	„
4	AP 4 /IAMWARM/WRD/ MANI/WORKS// 2011.2012	Lining of head Irrigation Channel and providing Flow Measuring Devices for Aralikottai Tank,Eriyur Tank and Sengulam Tank in Manimuthar Minor Basin of Manimuthar Sub Basin in Thiruppathur Taluk of Sivagangai District.	3	8	210	9.62	„

5	AP 5 /IAMWARM/WRD/ MANI/WORKS/I/ 2011.2012	Lining of head Irrigation Channel and providing Flow Measuring Devices for Sirumaruthur Tank and Vinayagar Tank in Manimuthar Minor Basin of Manimuthar Sub Basin in Thiruppathur Taluk of Sivagangai District.	2	8	200	9.21	Old package No M ₇
6	AP 6 /IAMWARM/WRD/MANI/WORKS/I/2011.2012	Lining of head Irrigation Channel and providing Flow Measuring Devices for Chetti Kanmoi Peruvankagai Kanmoi and Annamalai kanmoi in Manimuthar Minor Basin of Manimuthar Sub Basin in Thiruppathur Taluk of Sivagangai District.	3	7	175	8.06	Old package No M ₇
7	AP 7 /IAMWARM/WRD/ MANI/WORKS/I/ 2011.2012	Lining of head Irrigation Channel and providing Flow Measuring Devices for Puthu Kanmoi and Aruvi Kanmoi in Manimuthar Minor Basin of Manimuthar Sub Basin in Thiruppathur Taluk of Sivagangai District.	2	5	130	5.96	„
8	AP 8 /IAMWARM/WRD/ MANI/WORKS/I/ 2011.2012	Lining of head Irrigation Channel and providing Flow Measuring Devices for Matty Tank and Inoathy Tank in Manimuthar Minor Basin of Manimuthar Sub Basin in Thiruppathur Taluk of Sivagangai District.	2	7	175	8.06	„
9	AP 9 /IAMWARM/WRD/ MANI/WORKS/I/ 2011.2012	Lining of head Irrigation Channel and providing Flow Measuring Devices for Manakkudi Kanmoi Siru Chinnappan kanmoi eluppai Kanmoi Poolan kanmoi in Manimuthar Minor Basin of Manimuthar Sub Basin in Thiruppathur Taluk of Sivagangai District	5	7	200	9.09	„
10	AP 10 /IAMWARM/WRD/ MANI/WORKS/I/ 2011.2012	Lining of head Irrigation Channel and providing Flow Measuring Devices for Pottakuruchi Kanmoi Potta Kanmoi and Periyapurusan Kanmoi Mithilai Tank in Manimuthar Minor Basin of Manimuthar Sub Basin in Thiruppathur Taluk of Sivagangai District.	3	6	150	6.91	„
11	AP 11 /IAMWARM/WRD/ MANI/WORKS/I/ 2011.2012	Lining of head Irrigation Channel and providing Flow Measuring Devices for Varkudi Kanmoi , Karadi Kanmoi and Karattandi Kanmoi in Manimuthar Minor Basin of Manimuthar Sub Basin in Thiruppathur Taluk of Sivagangai District.	3	8	200	9.21	„
12	AP 12 /IAMWARM/WRD/ MANI/WORKS/I/ 2011.2012	Lining of head Irrigation Channel and providing Flow Measuring Devices for Silaneer Tank and Boothani Tank in Manimuthar Minor Basin of Manimuthar Sub Basin in Thiruppathur Taluk of Sivagangai District.	2	6	150	6.91	„

13	AP 13 /IAMWARM/WRD/ MANI/WORKS/I/ 2011.2012	Lining of head Irrigation Channel and providing Flow Measuring Devices for Murai Tank and Meli Tank in Manimuthar Minor Basin of Manimuthar Sub Basin in Thiruppathur Taluk of Sivagangai District.	2	5	125	5.76	Old package No M ₇
14	AP 14 /IAMWARM/WRD/MANI/WORKS/I/2011.2012	Lining of head Irrigation Channel and providing Flow Measuring Devices for Perumi Tank, Mathavarayanpatty tank and karuppur Tank in Manimuthar Minor Basin of Manimuthar Sub Basin in Thiruppathur Taluk of Sivagangai District.	3	8	220	10.03	„
15	AP 15 /IAMWARM/WRD/ MANI/WORKS/I/ 2011.2012	Lining of head Irrigation Channel and providing Flow Measuring Devices for Manakkudi Tank and Velankudi Tank in Manimuthar Minor Basin of Manimuthar Sub Basin in Thiruppathur Taluk of Sivagangai District.	2	6	180	8.14	„
16	AP 16 /IAMWARM/WRD/ MANI/WORKS/I/ 2011.2012	Lining of head Irrigation Channel and providing Flow Measuring Devices for Villur Tank and Kottaiyiruppu Tank in Manimuthar Minor Basin of Manimuthar Sub Basin in Thiruppathur Taluk of Sivagangai District	2	7	204	9.25	„
17	AP 17 /IAMWARM/WRD/ MANI/WORKS/I/ 2011.2012	Lining of head Irrigation Channel and providing Flow Measuring Devices for Kannani Tank and Nerkuppai Tank in Virusuliyar Minor Basin of Manimuthar Sub Basin in Thiruppathur Taluk of Sivagangai District.	2	7	190	8.68	Old package No M ₁
18	AP 18 /IAMWARM/WRD/ MANI/WORKS/I/ 2011.2012	Lining of head Irrigation Channel and providing Flow Measuring Devices for Pandi Tank ,Periya Senthamangalam Tank and Pappanpatti Tank in Virusuliyar Minor Basin of Manimuthar Sub Basin in Thiruppathur Taluk of Sivagangai District.	3	8	220	10.03	„
19	AP 19 /IAMWARM/WRD/ MANI/WORKS/I/ 2011.2012	Lining of head Irrigation Channel and providing Flow Measuring Devices for Ovali Tank ,Mahibalanpatti Tank and Keela Kanmoi Tank in Virusuliyar Minor Basin of Manimuthar Sub Basin in Thiruppathur Taluk of Sivagangai District.	3	6	190	8.55	„

20	AP 20 /IAMWARM/WRD/ MANI/WORKS/I/ 2011.2012	Lining of head Irrigation Channel and providing Flow Measuring Devices for Thuvar Tank and Vanjinippatti Tank in Virusuliyar Minor Basin of Manimuthar Sub Basin in Thiruppathur Taluk of Sivagangai District.	2	8	190	8.80	Old package No M ₁
21	AP 21 /IAMWARM/WRD/MANI/WORKS/I/2011.2012	Lining of head Irrigation Channel and providing Flow Measuring Devices for Konnathanpatti Tank and Ayirakudi Tank in Virusuliyar Minor Basin of Manimuthar Sub Basin in Thiruppathur Taluk of Sivagangai District	2	8	190	8.80	”
22	AP 22 /IAMWARM/WRD/ MANI/WORKS/I/ 2011.2012	Lining of head Irrigation Channel and providing Flow Measuring Devices for Poolan Tank and Meli Tank and Mathagu Tank in Virusuliyar Minor Basin of Manimuthar Sub Basin in Thiruppathur Taluk of Sivagangai District.	3	7	180	8.27	”
23	AP 23 /IAMWARM/WRD/ MANI/WORKS/I/ 2011.2012	Lining of head Irrigation Channel and providing Flow Measuring Devices for Chinna Kavini Tank ,Periya Kavini Tank and Pandamuthan Tank in Virusuliyar Minor Basin of Manimuthar Sub Basin in Thiruppathur Taluk of Sivagangai District.	3	9	210	9.75	”
24	AP 24 /IAMWARM/WRD/ MANI/WORKS/I/ 2011.2012	Lining of head Irrigation Channel and providing Flow Measuring Devices for Therotti Tank and Peruvengai Tank in Virusuliyar Minor Basin of Manimuthar Sub Basin in Thiruppathur Taluk of Sivagangai District	2	7	210	9.50	”
25	AP 25 /IAMWARM/WRD/ MANI/WORKS/I/ 2011.2012	Lining of head Irrigation Channel and providing Flow Measuring Devices for Pilava Tank ,Pannimutti Tank and Pudu Kanmoi in Virusuliyar Minor Basin of Manimuthar Sub Basin in Thiruppathur Taluk of Sivagangai District.	3	9	220	10.16	”
26	AP 26 /IAMWARM/WRD/ MANI/WORKS/I/ 2011.2012	Lining of head Irrigation Channel and providing Flow Measuring Devices for Parakkini Tank ,Pai Tank ,Osuvan Tank Karuvel Tank and Karungani Tank in Virusuliyar Minor Basin of Manimuthar Sub Basin in Thiruppathur Taluk of Sivagangai District.	5	7	210	9.50	”

27	AP 27 /IAMWARM/WRD/ MANI/WORKS/I/ 2011.2012	Lining of head Irrigation Channel and providing Flow Measuring Devices for Kalathi Tank ,Nalli Tank and Manaya Tank in Virusuliyar Minor Basin of Manimuthar Sub Basin in Thiruppathur Taluk of Sivagangai District.	3	8	220	10.03	Old package No M ₁
28	AP 28 /IAMWARM/WRD/MANI/WORKS/I/2011.2012	Lining of head Irrigation Channel and providing Flow Measuring Devices for Thiruppathur Big Tank ,Karaiyur Tank and Ilyathangudi Tank in Virusuliyar Minor Basin of Manimuthar Sub Basin in Thiruppathur Taluk of Sivagangai District.	3	8	220	10.03	„
29	AP 29 /IAMWARM/WRD/ MANI/WORKS/I/ 2011.2012	Lining of head Irrigation Channel and providing Flow Measuring Devices for Parani Tank and Kudikathan Tank in Virusuliyar Minor Basin of Manimuthar Sub Basin in Thiruppathur Taluk of Sivagangai District	2	6	190	8.55	„
30	AP 30 /IAMWARM/WRD/ MANI/WORKS/I/ 2011.2012	Lining of head irrigation Channel and providing Flow Measuring Devices for Kambani Tank in Manimuthar Sub Basin in Sivagangai District	1	4	145	6.63	Old package No M ₂
31	AP 31 /IAMWARM/WRD/ MANI/WORKS/I/ 2011.2012	Lining of head irrigation Channel and providing Flow Measuring Devices for Koothagudi Tank in Manimuthar Sub Basin in Sivagangai District	1	5	145	6.78	„
32	AP 32 /IAMWARM/WRD/ MANI/WORKS/I/ 2011.2012	Lining of head irrigation Channel and providing Flow Measuring Devices for Melkudi Tank in Manimuthar Sub Basin in Sivagangai District	1	5	146	6.78	„
33	AP 33 /IAMWARM/WRD/ MANI/WORKS/I/ 2011.2012	Lining of head irrigation Channel and providing Flow Measuring Devices for Ettukkudi Tank in Manimuthar Sub Basin in Sivagangai District	1	4	116	5.42	„
34	AP 34 /IAMWARM/WRD/ MANI/WORKS/I/ 2011.2012	Lining of head irrigation Channel and providing Flow Measuring Devices for Alangudi Tank in Manimuthar Sub Basin in Sivagangai District	1	6	175	8.13	Old package No M ₂

35	AP 35 /IAMWARM/WRD/ MANI/WORKS/I/ 2011.2012	Lining of head irrigation Channel and providing Flow Measuring Devices for Sirumaruthur tank and Kongarathi tankin Manimuthar Sub Basin in Sivagangai District	2	7	204	9.49	„
36	AP 36 /IAMWARM/WRD/MANI/WORKS/I/2011.2012	Lining of head irrigation Channel and providing Flow Measuring Devices for Avanathi Tank in Manimuthar Sub Basin in Sivagangai District	1	6	180	8.34	„
37	AP 37 /IAMWARM/WRD/ MANI/WORKS/I/ 2011.2012	Lining of head irrigation Channel and providing Flow Measuring Devices for Athani Tank in Manimuthar Sub Basin in Sivagangai District	1	7	210	9.78	„
38	AP 38 /IAMWARM/WRD/ MANI/WORKS/I/ 2011.2012	Lining of head irrigation Channel and providing Flow Measuring Devices for Veliyathur tank and Kilamadam tank in Manimuthar Sub Basin in Sivagangai District	1	5	211	9.57	„
39	AP 39 /IAMWARM/WRD/ MANI/WORKS/I/ 2011.2012	Lining of head Irrigation Channel and providing Flow Measuring Devices for Thanneer Tank , Periyakulam Tank and Kavadikulam Tank in Manimuthar Minor Basin of Manimuthar Sub Basin in Thiruppathur Taluk of Sivagangai District.	3	7	220	9.91	Old package No M ₃
40	AP 40 /IAMWARM/WRD/ MANI/WORKS/I/ 2011.2012	Lining of head Irrigation Channel and providing Flow Measuring Devices for Alagansirukudi Tank and Soludayan Tank in Manimuthar Minor Basin of Manimuthar Sub Basin in Thiruppathur Taluk of Sivagangai District.	2	6	220	9.79	„
41	AP 41 /IAMWARM/WRD/ MANI/WORKS/I/ 2011.2012	Lining of head Irrigation Channel and providing Flow Measuring Devices for Chokkanarayanaperi Tank and Narikkudipanthattai Tank in Manimuthar Minor Basin of Manimuthar Sub Basin in Thiruppathur Taluk of Sivagangai District.	2	5	150	6.78	Old package No M ₃
42	AP 42 /IAMWARM/WRD/ MANI/WORKS/I/ 2011.2012	Lining of head Irrigation Channel and providing Flow Measuring Devices for Vadamavali Tank in Manimuthar Minor Basin of Manimuthar Sub Basin in Thiruppathur Taluk of Sivagangai District.	1	4	200	8.72	„

43	AP 43 /IAMWARM/WRD/MANI/WORKS/I/2011.2012	Lining of head Irrigation Channel and providing Flow Measuring Devices for Pattathi Tank in Manimuthar Minor Basin of Manimuthar Sub Basin in Thiruppathur Taluk of Sivagangai District.	1	6	200	8.96	„
44	AP 44 /IAMWARM/WRD/ MANI/WORKS/I/ 2011.2012	Lining of head Irrigation Channel and providing Flow Measuring Devices for Alathi Tank in Manimuthar Minor Basin of Manimuthar Sub Basin in Thiruppathur Taluk of Sivagangai District.	1	4	160	7.07	„
45	AP 45 /IAMWARM/WRD/ MANI/WORKS/I/ 2011.2012	Lining of head Irrigation Channel and providing Flow Measuring Devices for Mithilai Tank in Manimuthar Minor Basin of Manimuthar Sub Basin in Thiruppathur Taluk of Sivagangai District.	1	5	200	8.84	„
46	AP 46 /IAMWARM/WRD/ MANI/WORKS/I/ 2011.2012	Lining of head Irrigation Channel and providing Flow Measuring Devices for Karunkulam Tank and Peruchi Tank in Manimuthar Minor Basin of Manimuthar Sub Basin in Thiruppathur Taluk of Sivagangai District	2	7	205	9.29	„
47	AP 47 /IAMWARM/WRD/ MANI/WORKS/I/ 2011.2012	Lining of head irrigation Channel and providing Flow Measuring Devices for Kakkattiruppu Tank and Pannithiruthi Tank in Manimuthar Sub Basin in Sivagangai District	2	9	210	9.94	Old package No M ₄
48	AP 48 /IAMWARM/WRD/ MANI/WORKS/I/ 2011.2012	Lining of head irrigation Channel and providing Flow Measuring Devices for Sembanur Tank in Manimuthar Sub Basin in Sivagangai District	1	5	124	5.87	Old package No M ₄
49	AP 49 /IAMWARM/WRD/ MANI/WORKS/I/ 2011.2012	Lining of head irrigation Channel and providing Flow Measuring Devices for Maruthan Tank in Manimuthar Sub Basin in Sivagangai District	1	5	124	5.88	„

50	AP 50 /IAMWARM/WRD/MANI/WORKS/I/2011.2012	Lining of head irrigation Channel and providing Flow Measuring Devices for Poyyalur Tank in Manimuthar Sub Basin in Sivagangai District	1	7	149	7.17	„
51	AP 51 /IAMWARM/WRD/ MANI/WORKS/I/ 2011.2012	Lining of head irrigation Channel and providing Flow Measuring Devices for Marungipatti Tank in Manimuthar Sub Basin in Sivagangai District	1	3	75	3.53	„
52	AP 52 /IAMWARM/WRD/ MANI/WORKS/I/ 2011.2012	Lining of head irrigation Channel and providing Flow Measuring Devices for Kasthurimangalam Tank in Manimuthar Sub Basin in Sivagangai District	1	6	145	7.04	„
53	AP 53 /IAMWARM/WRD/ MANI/WORKS/I/ 2011.2012	Lining of head irrigation Channel and providing Flow Measuring Devices for Pilar Tank in Manimuthar Sub Basin in Sivagangai District	1	5	124	6.25	„
54	AP 54 /IAMWARM/WRD/ MANI/WORKS/I/ 2011.2012	Lining of head irrigation Channel and providing Flow Measuring Devices for S.R.Pattanam Tank in Manimuthar Sub Basin in Sivagangai District	1	6	149	7.04	„
55	AP 55 /IAMWARM/WRD/ MANI/WORKS/I/ 2011.2012	Lining of head irrigation Channel and providing Flow Measuring Devices for Kurumbi Tank and Kanchirampeechetti Tank in Manimuthar Sub Basin in Sivagangai District	2	4	100	4.71	„
56	AP 56 /IAMWARM/WRD/ MANI/WORKS/I/ 2011.2012	Lining of head irrigation Channel and providing Flow Measuring Devices for Malavarayan Tank in Manimuthar Sub Basin in Sivagangai District	1	5	124	5.88	Old package No M ₄
57	AP 57 /IAMWARM/WRD/ MANI/WORKS/I/ 2011.2012	Lining of head irrigation Channel and providing Flow Measuring Devices for Visalayankottai Tank in Manimuthar Sub Basin in Sivagangai District	1	6	160	7.55	„

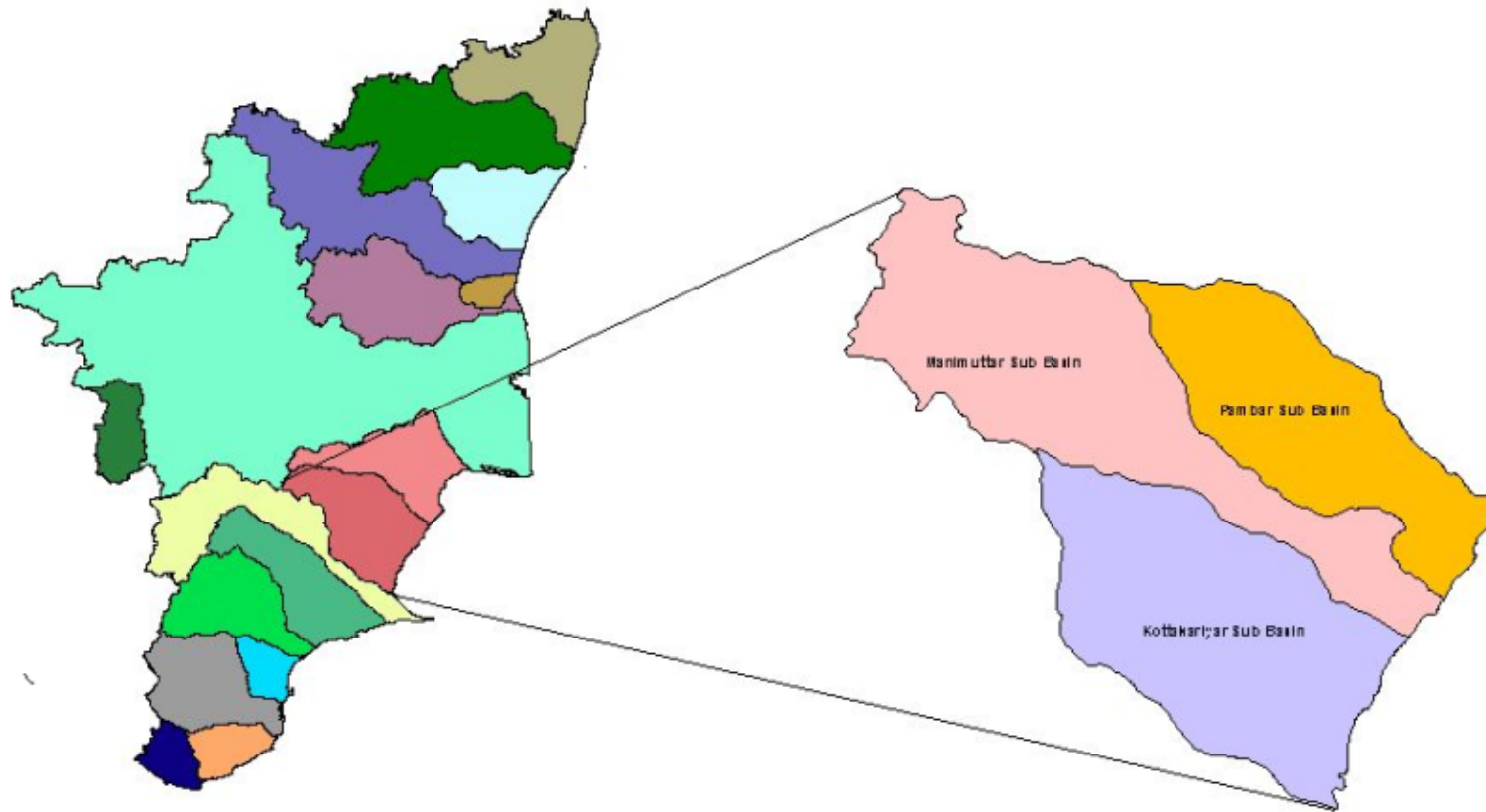
58	AP 58 /IAMWARM/WRD/MANI/WORKS/I/2011.2012	Lining of head irrigation Channel and providing Flow Measuring Devices for Koothalur Tank and Kalipuli tank in Manimuthar Sub Basin in Sivagangai District	2	7	174	8.23	„
59	AP 59 /IAMWARM/WRD/ MANI/WORKS/I/ 2011.2012	Lining of head irrigation Channel and providing Flow Measuring Devices for Perumaruthur Tank and Ponnangudi tank in Manimuthar Sub Basin in Sivagangai District	2	4	93	4.45	„
60	AP 60 /IAMWARM/WRD/ MANI/WORKS/I/ 2011.2012	Lining of Head Irrigation Channel and Providing Flow Measuring Devices for Eluvankottai Tank,K.Pudukottai Tank, Kallankudi Tank, and Nagadi Tank, in Manimuthar Sub Basin in Sivagangai District	4	14	161	8.96	Old package No M ₅
61	AP 61 /IAMWARM/WRD/ MANI/WORKS/I/ 2011.2012	Lining of Head Irrigation Channel and Providing Flow Measuring Devices for Kottur Tank,Thirumanavayal Tank, and Thidakkottai Tank in Manimuthar Sub Basin in Sivagangai District	3	12	138	7.69	„
62	AP 62 /IAMWARM/WRD/ MANI/WORKS/I/ 2011.2012	Lining of Field Channel and providing Flow Measuring Devices for Karkalathur Tank, Vettivayal Tank, Kurunthanakottai Tank, Pavasi Tank and Kambani Tank in Manimuthar Sub Basin in Sivagangai District	5	14	161	8.97	„
63	AP 63 /IAMWARM/WRD/ MANI/WORKS/I/ 2011.2012	Lining of Field Channel and providing Flow Measuring Devices for Selugai Tank, and Veelimarendal Tank in Manimuthar Sub Basin in Sivagangai District	2	9	103.50	5.77	„
64	AP 64 /IAMWARM/WRD/ MANI/WORKS/I/ 2011.2012	Lining of Field Channel and providing Flow Measuring Devices for Vadinanniyur Tank and Elankudi Tank in Manimuthar Sub Basin in Sivagangai District	2	9	103.50	5.77	Old package No M ₅
65	AP 65 /IAMWARM/WRD/ MANI/WORKS/I/ 2011.2012	Lining of Field Channel and providing Flow Measuring Devices for Kaikudi Kanmoi ,Thuduppur - Alangudi Kanmoi and EHanumanthkudi Chinna Kanmoi in Manimuthar Sub Basin in Sivagangai District	3	10	150	7.92	„

66	AP 66 /IAMWARM/WRD/MANI/WORKS/I/2011.2012	Lining of Field Channel and providing Flow Measuring Devices for Mangalakudi Tank ,Thathani Tank and Sathanikottai Tank and Kappalur Tank in Manimuthar Sub Basin in Sivagangai District	4	11	165	8.71	”
67	AP 67 /IAMWARM/WRD/ MANI/WORKS/I/ 2011.2012	Lining of Field Channel and providing Flow Measuring Devices for Thiruppakkottai Tank Thiruppakkottaiendal Tank and Piranthani Tank in Manimuthar Sub Basin in Sivagangai District	3	8	120	6.33	”
68	AP 68 /IAMWARM/WRD/ MANI/WORKS/I/ 2011.2012	Lining of Field Channel and providing Flow Measuring Devices for Visumbur Kanmoi, Sirukambiyur Tank and N.Mangalam Tank in Manimuthar Sub Basin in Ramanathapuram District	3	9	104	5.49	Old package No M ₆

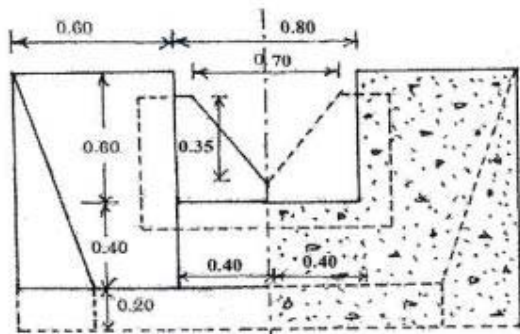
546.81

**PAMBAR KOTTAKARIYAR BASIN
INDEX MAP**

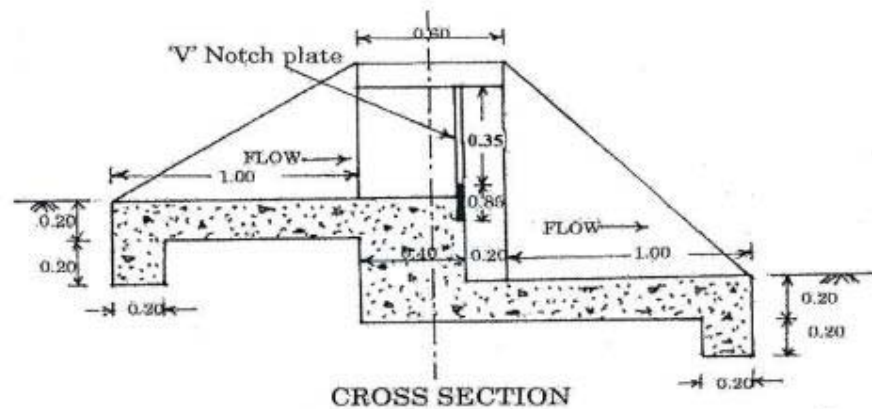
Plate:- PAK - 01



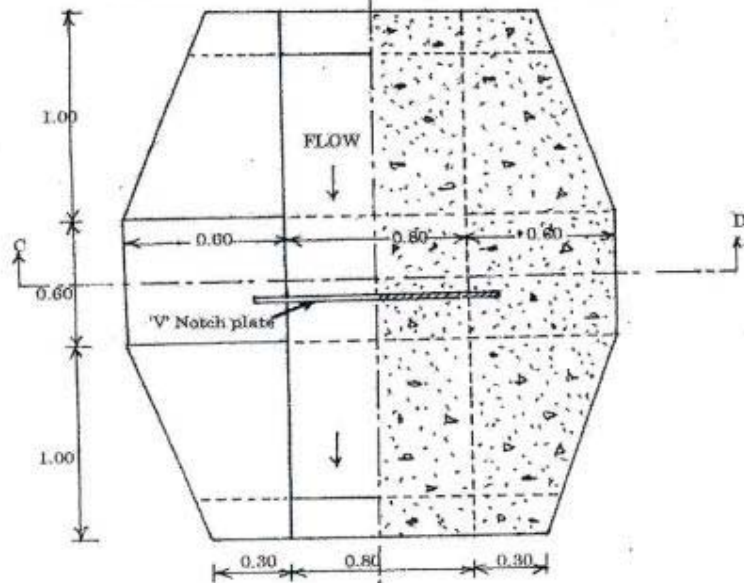
GOVERNMENT OF TAMILNADU
WATER RESOURCES DEVELOPMENT BOARD
INSTITUTE FOR WATER STUDIES
TAMILNADU CENTRE FOR REMOTE SENSING APPLICATION
TRAPAKKALMANNAR-10



HALF FRONT ELEVATION AND HALF SECTIONAL ELEVATION AT 'CD'



CROSS SECTION



HALF PLAN AT TOP AND HALF PLAN AT BOTTOM

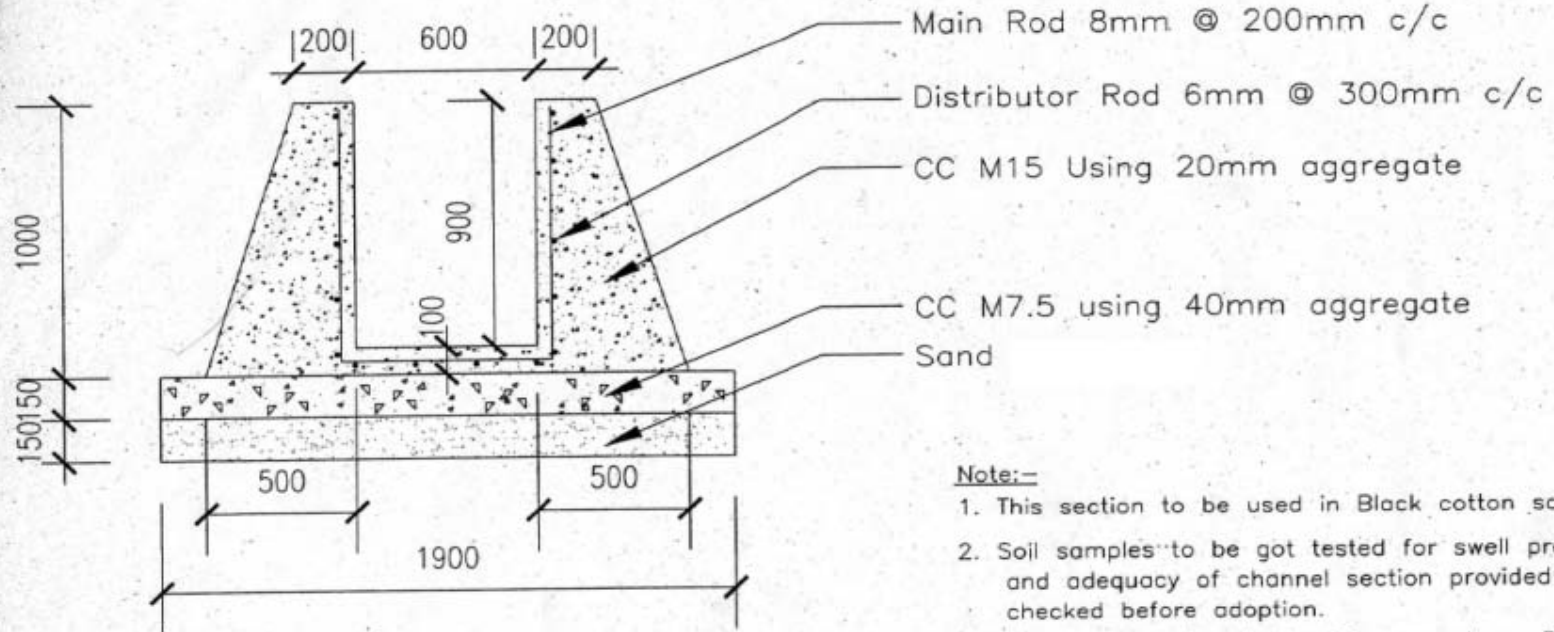
TYPE - C
3 CUSEC V-NOTCH

'V' - NOTCH - SALIENT DETAILS (For 1 to 4 C/s)

Discharge		Head Over Crest Cm	'V' Notch size Cm	Overall size Cm
Cusec	Litre / sec			
1	28.3	20.5	25 x 50	50 x 85
2	56.6	27	30 x 60	50 x 75
3	85	32	35 x 70	55 x 90
4	113.27	36	42 x 84	60 x 100

IAMWARM PROJECT - PHASE IV
PARALAIYAR SUB BASIN
PROVIDING FLOW MEASURING
DEVICE ('V' NOTCH) IN THE FIELD
CHANNEL OF TANK SLUICE
Scale : 1cm = 0.25m
All dimension are in 'Metre'

LINING OF IRRIGATION CHANNEL
TYPICAL CROSS SECTION
FOR BLACK COTTON SOIL



Note:-

1. This section to be used in Black cotton soil.
2. Soil samples to be got tested for swell pressure and adequacy of channel section provided to be checked before adoption.
3. Nominal cover to steel reinforcements = 30 mm

IIMMASH PROJECT
 KOTTAKARAIYAR SUB-BASIN
 IRRIGATION CHANNEL LINING
 Scale:-1:1000
 All dimension are in MM

Scale:1:1000
 All dimensions are in mm